

#### ELENCO COMPONENTI DI UN PAIO DI PORTE

- n° 2 crossbar;
- n° 4 post;
- n° 4 upper support;
- n° 4 lower support;
- n° 4 upper supports reinforcements;
- n° 2 crossbars for lower supports;
- n° 4 caps diam. 80 mm.;
- n° 66 (+2 di ricambio) anchors for net fixing;
- n° 4 insert;
- n° 20 screws M8x20 r.h.;
- n° 8 screws M8x45 plane head;
- n° 16 screws M8x25 plane head;
- n° 24 washer  $\phi$ 8 mm.;
- n° 24 nuts M8.

Holes to fix futsal goal in the ground with appropriate anchors (not included)



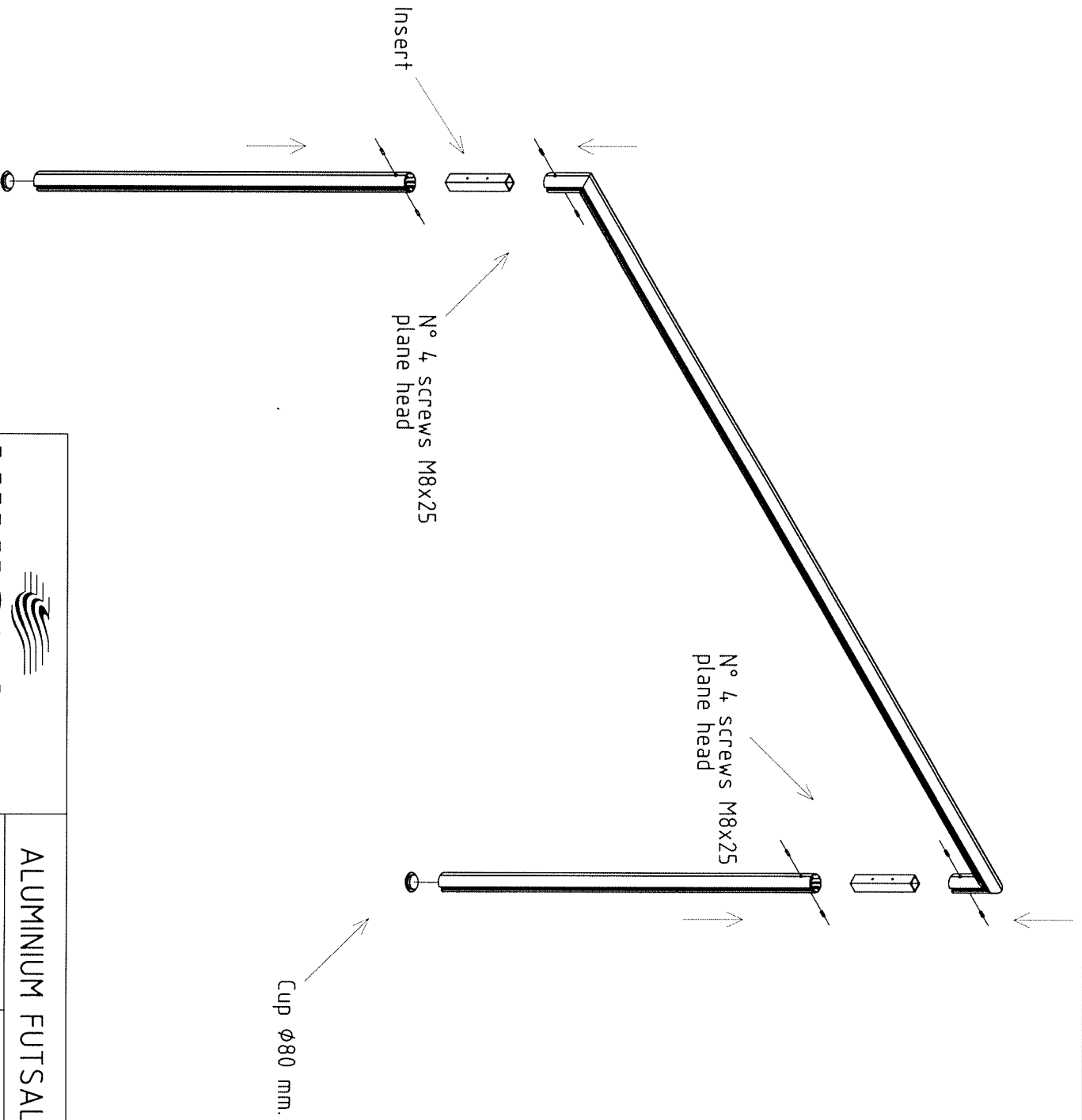
**VIVISPORT**  
attrezzature sportive

ALUMINIUM FUTSAL GOAL 4X2 M. – PORTABLE

Art. 6028

Data:  
Aggiornamento n° 0

Pagina: 1/3

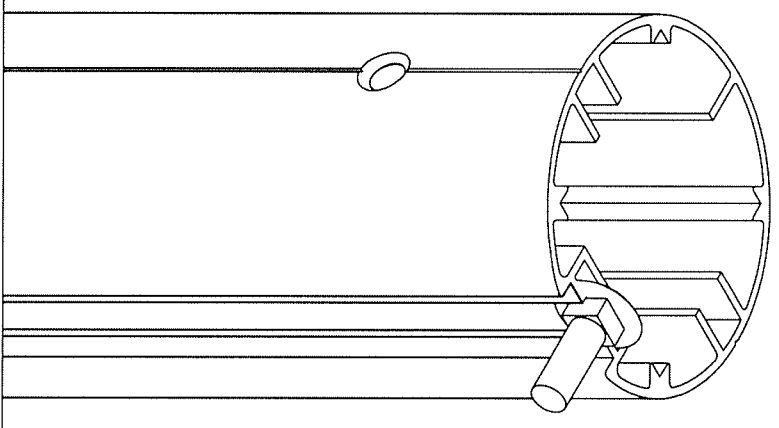


Insert screws into the slot as drawing below

n-4 screws M8x20 r.h for crossbar

n-6 screws M8x20 r.h for post

Cap has to be applied after all the screws have been inserted into the slot.



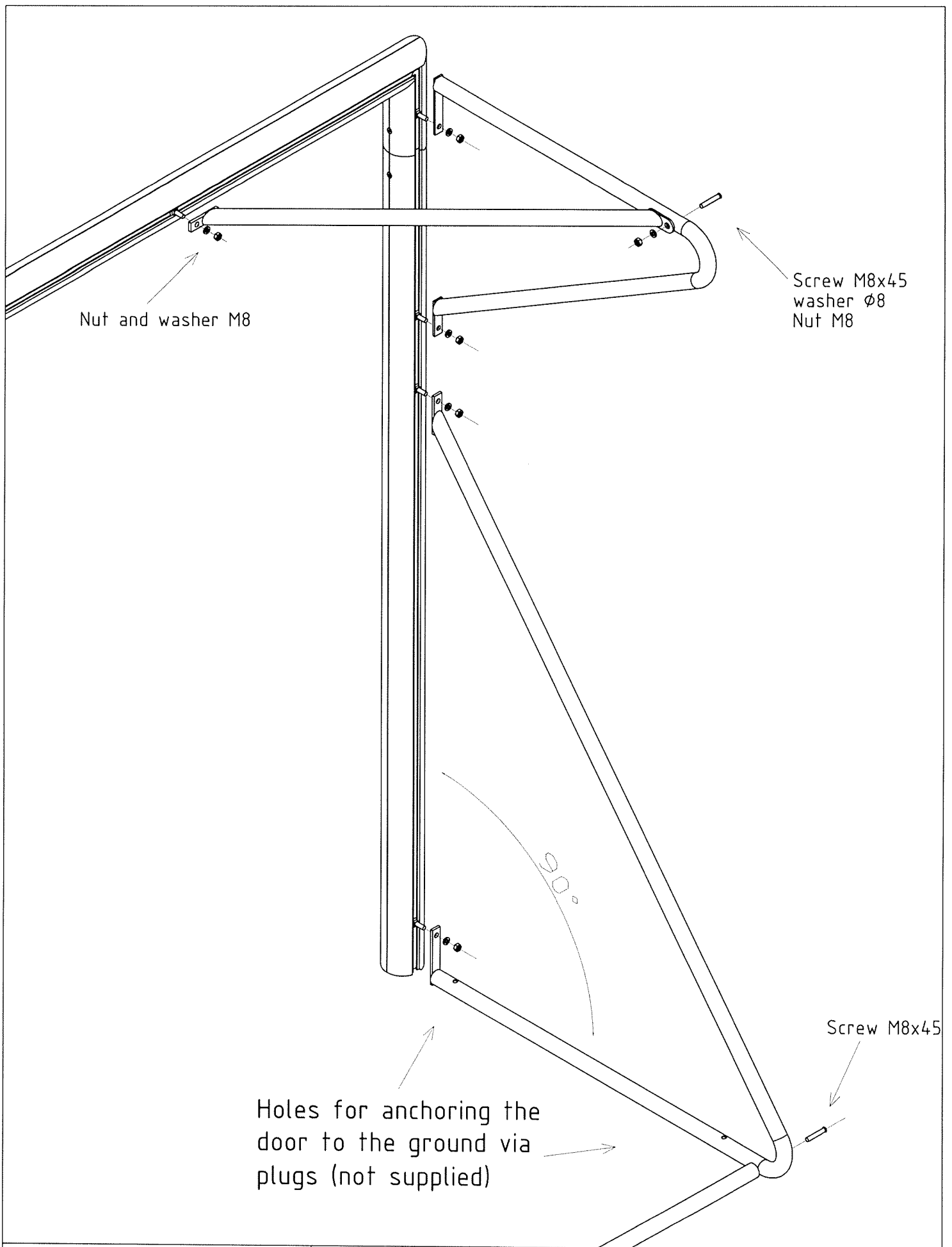
**VIVISPORT**  
 attrezzature sportive

**ALUMINIUM FUTSAL GOAL 4X2 M. - PORTABLE**

Art. 6028

Data: Aggiornamento n° 0

Pagina: 2/3



**VIVISPORT**  
attrezzature sportive

ALUMINIUM FUTSAL GOAL 4X2 M. - PORTABLE

Art. 6028

Data:

Aggiornamento n° 0

Pagina: 3/3