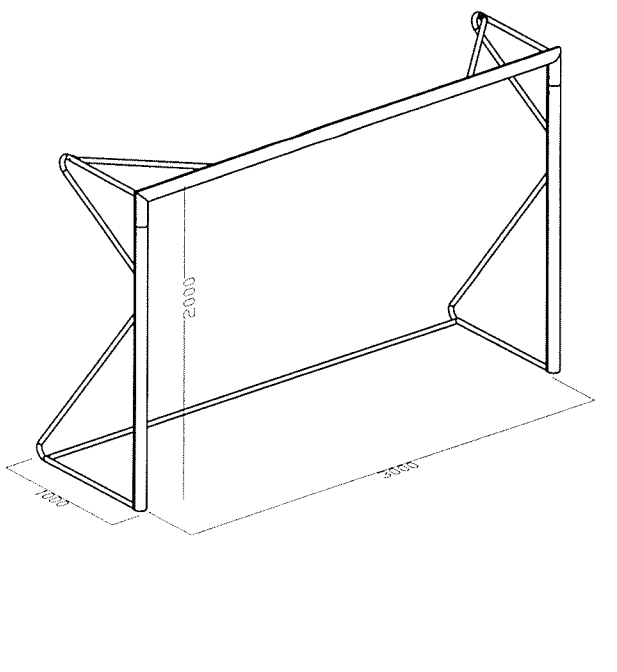


ART. 6027 STANDARD STEEL FUTSAL GOALS 4X2 M. SECTION 100 X 120 MM. PORTABLE
FREESTANDING



OPERAZIONI PER IL MONTAGGIO

- Install the cross-bar and the posts well closing screws (Fig. 1);
- Insert into the socket cross-bar and posts (Fig. 1);
- Fix upper supports and their reinforcements (Fig. 1);
- Fix lower supports and the spacer (Fig. 1);
- Apply the anchors to the posts and crossbar (Fig. 2);

PRODUCT DESCRIPTION

Standard steel futsal goal 4X2 mt, portable freestanding. Tubular steel varnished posts diam. 80 mm., net supports. To make the football goal even more fixed and hardy, angles are welded and net supports are made in hot galvanized steel. Equipped with fastens for net fixing in plastic material.

WARNINGS

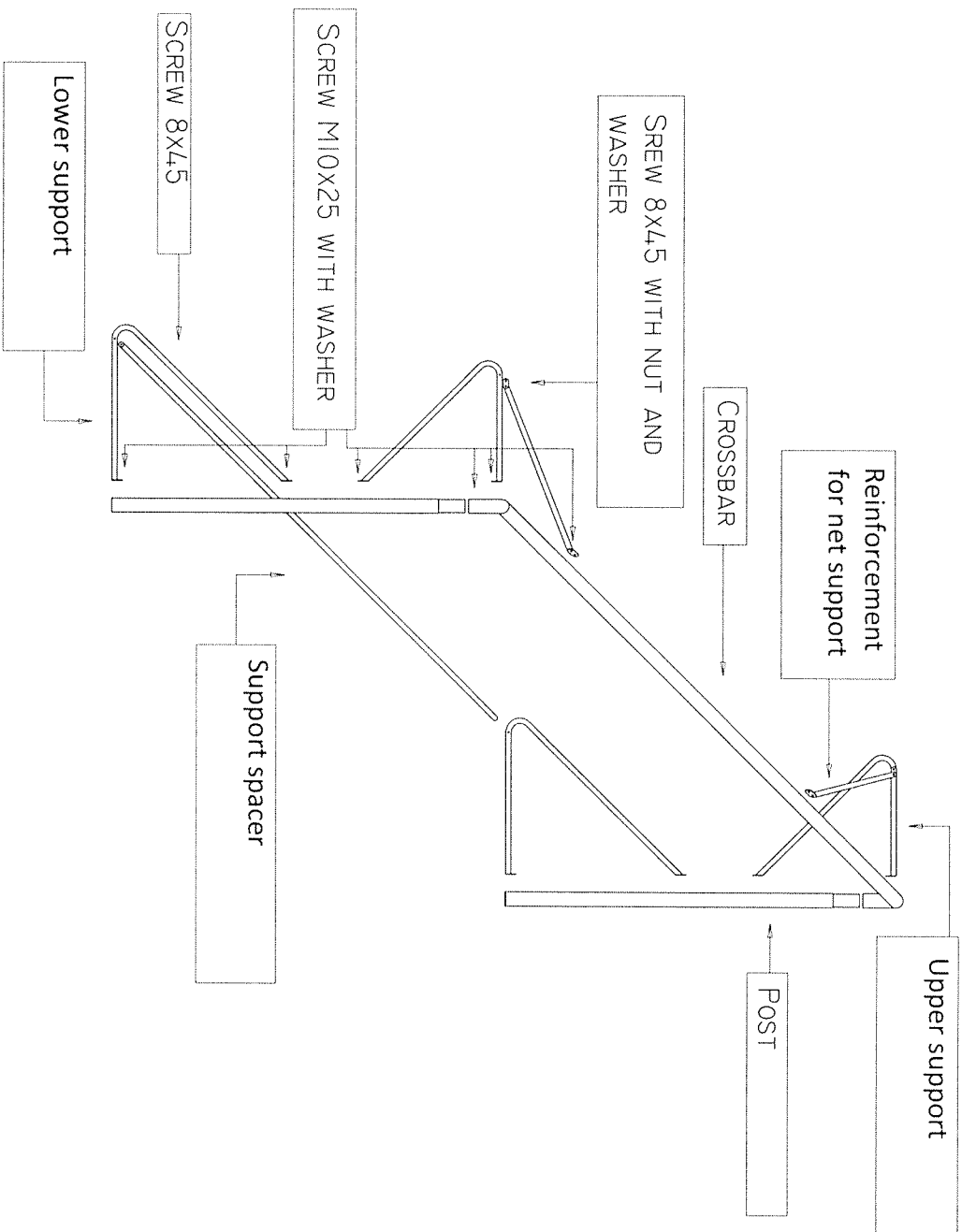
- Before starting the assembly or use the system, read carefully instructions and verify the presence of all the components.
- This system has been designed exclusively for football not for others uses;
- Football goals has to be always insured against overturning;
- Periodically control general condition and safety of the system;
- Do not climb on the football goal structure and net;

MAINTENANCE

- Once a year, control that all the fixings are well closed.
- Once a year control the condition of net's fastens, eventually provide to the replacement.
- Once a year control the football goal condition.

In case of structural failures or deformations, breaks or anomalies in general, contact immediately the installer or the dealer.

Figura 1

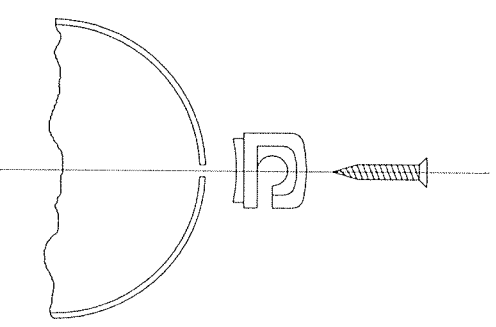


After fix goals as the drawing, anchor to the floor, using bases holes and appropriate anchors for the type of the floor.

LIST OF COMPONENTS (set futsal goals)

- Screw M10x25 hexagonal head n° 24
- Washer diam. 10 n° 24
- Screws M8x45 n° 8
- Washer diam. 8 n° 4
- Nut M8 n° 4
- Screw 3.9x25 threaded n° 68
- Nylon hook n° 68
- Post n° 4
- Crossbar n° 2
- Upper support n° 4
- Lower support n° 4
- Reinforcement for supports n° 4
- Support spacer n° 2

Figura 2



STANDARD STEEL FUTSAL GOALS 4X2 M.



Art. 6027

Data:
Aggiornamento n° 0

Pagina: 2/2