

ASSEMBLY INSTRUCTION

Build concrete plinths cm 50x50x50 and bury sockets at the floor level. Distance from each other 308 cm.

Insert the crossbar into the posts and close screws (Fig. 1)

Insert posts to the crossbar fixed into the sockets (Fig. 1)

Fix upper supports and their reinforcements (Fig. 1)

Fix lower supports and the support spacers (Fig. 1)

Apply anchors to the posts and crossbar (Fig. 2)

This football goal for 5 is in accordance to UNI EN 749:2005 equipment for football playground - football goals - functionality and safety requirements, test methods. Exception for the posts and crossbar section in accordance to the "futsal in 5 rules" 2002 edition issued by FIGC -AIA.

UNI EN 749 specify requirements of functionality and safety for 2 types football goals.

The standard is apply to the hand goals, indoor football goals, indoor hockey goals used for coaching's and matches.

Our futsal goal art. 6819 correspond to the type 1 " fixed with sockets ".

PRODUCT DESCRIPTION

Steel Standard Futsal in 5 goal 3x2 mt. Posts are in steel tube diam. 80 mm. painted, angles for net support are holt galvanized. Supplied with plastic anchors for net fixing and sockets.

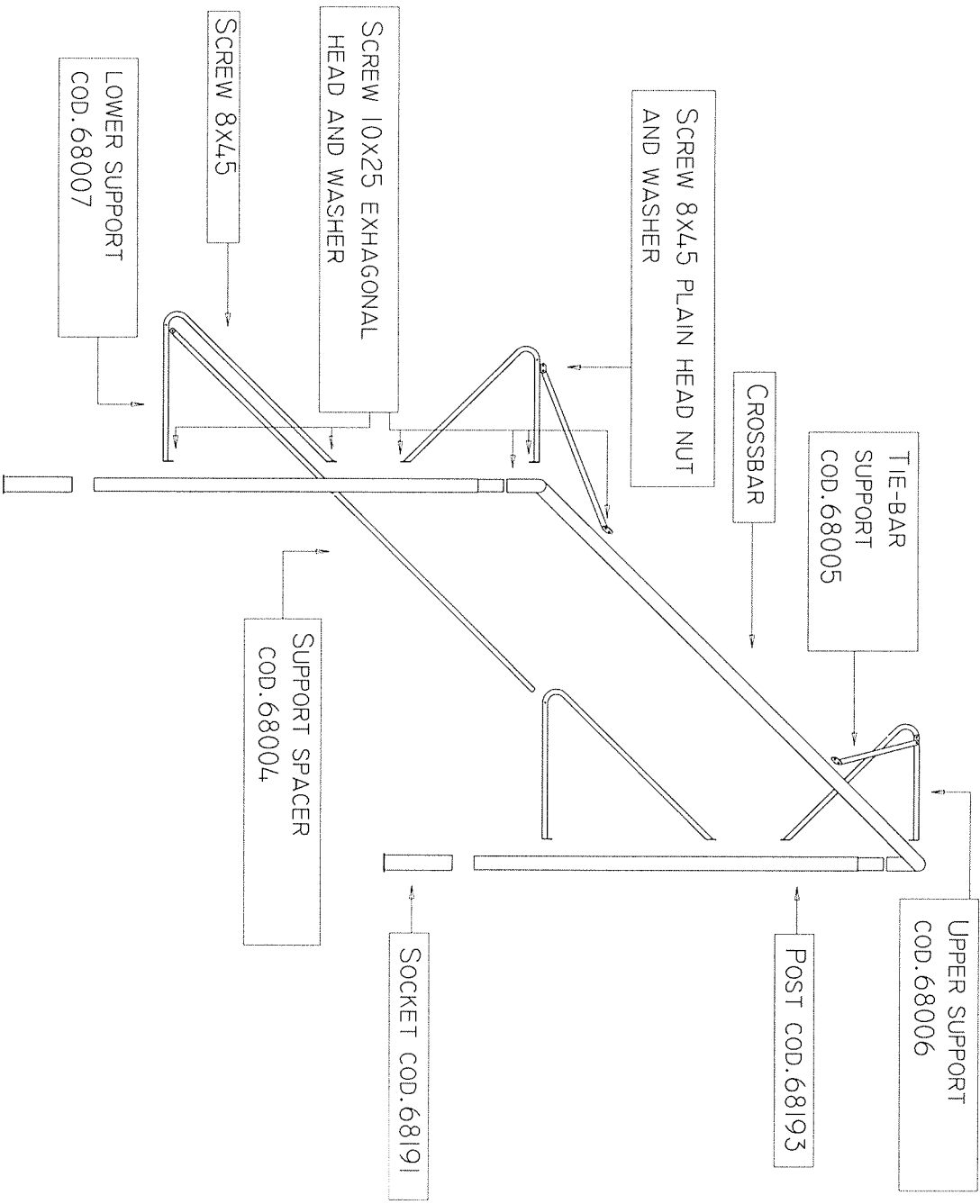
WARNINGS:

- Before starting the assembly or use the system, read carefully instructions and verify the presence of all the components.
- This system has been designed exclusively for football not for others uses;
- Before using football goals control that all fixing are well closed;
- Football goals has to be always insured against overturning;
- Periodically control general condition and safety of the system;
- Do not climb on the football goal structure and net;

MAINTENANCE

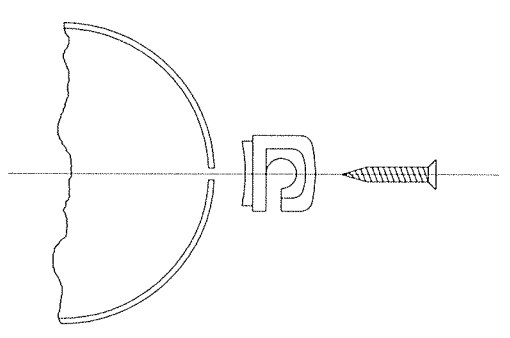
- Once a year, control that all the fixings are well closed.
- Once a year control the condition of net's fastens, eventually provide to the replacement.
- Once a year control the football goal condition.
- In case of structural failures or deformations, breaks or anomalies in general, contact immediately the installer or the dealer.

Fig.1



- Set Futsal goal:
- Screw M10x25 h.h n. 24
 - Washer diam. 10 n. 24
 - Screw M8x45 n. 8
 - Washer diam. 8 n. 4
 - Nut M8 N. 4
 - Screw 3.9x25 n. 60
 - Nylon anchor n. 60
 - Post n. 4
 - Crossbar n. 2
 - Sockets n. 4
 - Upper support n. 4
 - Lower support n. 4
 - Support tie-bar n. 4
 - Spacer support n. 2

Fig. 2



After assembly fix the goal to the floor with holes on the bases and fix to the floor with appropriate anchors.



STEEL STANDARD FOOTBALL GOAL FOR 5, FIX WITH SOCKETS.

Art. 6819

Data: 30/08/2011
Aggiornamento n° 0

Pagina: 2/2