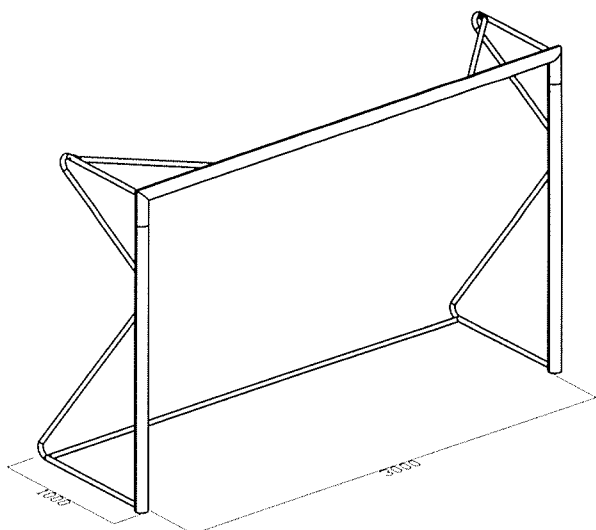


ART. 6800 STEEL STANDARD FOOTBALL GOAL IN 5, PORTABLE.



ASSEMBLY INSTRUCTION

Insert the crossbar into the posts and close screws (Fig. 1)

Insert posts to the crossbar fixed into the sockets (Fig. 1)

Fix upper supports and their reinforcements (Fig. 1)

Fix lower supports and the support spacers (Fig. 1)

Apply anchors to the posts and crossbar (Fig. 2)

ATTENTION:

For the safety football goals should be anchor to the ground and ensured to avoid overturning.

This football goal for 5 is in accordance to UNI EN 749:2005 equipment for football playground - football goals - functionality and safety requirements, test methods. Exception for the posts and crossbar section in accordance to the "futsal in 5 rules" 2002 edition issued by FIGC -AIA.

UNI EN 749 specify requirements of functionality and safety for 2 types and 2 measures of football goals.

The standard is apply to the hand goals, indoor football goals, indoor hockey goals used for coaching's and matches.

Our futsal goal art. 6800 correspond to the type 2 "not fixed futsal goal".

PRODUCT DESCRIPTION

Steel Standard Futsal in 5 goal 3x2 mt. posts are in steel tube diam. 80 mm. painted, angles for net support are holt galvanized. Supplied with plastic anchors for net fixing.

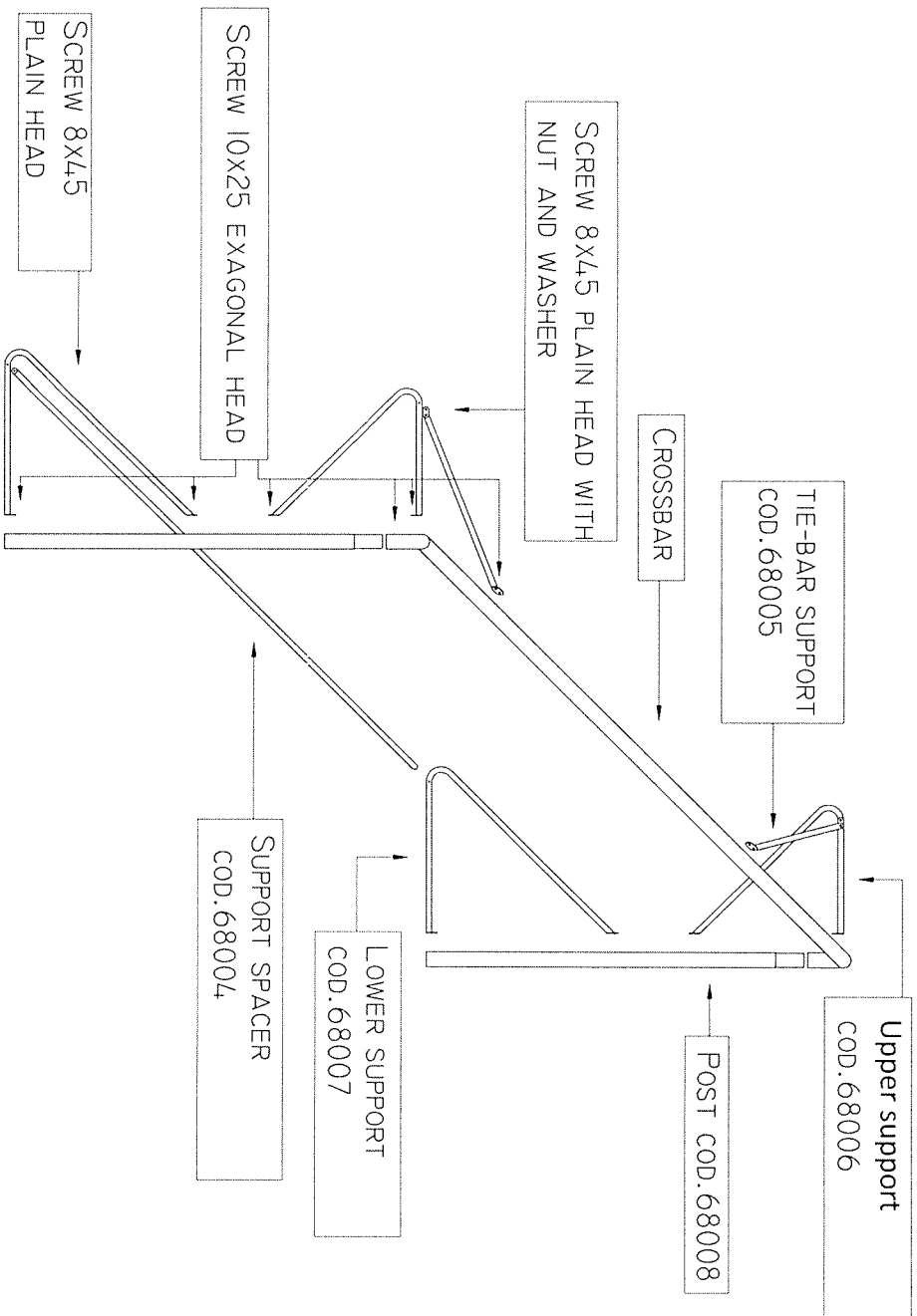
WARNINGS:

- Before starting the assembly or use the system, read carefully instructions and verify the presence of all the components.
- This system has been designed exclusively for football not for others uses;
- Before using football goals control that all fixing are well closed;
- Football goals has to be always insured against overturning;
- Periodically control general condition and safety of the system;
- Do not climb on the football goal structure and net;

MAINTENANCE

- Once a year, control that all the fixings are well closed.
- Once a year control the condition of net's fastens, eventually provide to the replacement.
- Once a year control the football goal condition.
- In case of structural failures or deformations, breaks or anomalies in general, contact immediately the installer or the dealer.

Fig 1

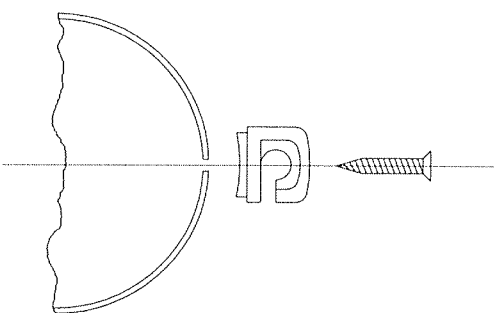


AFTER MOUNTING THE DOORS TO THE DIAGRAM FIXED TO THE GABLES THE FLOOR THROUGH THE HOLES ON THE BASES; FIXED WITH DOWELS WHOSE CHARACTERISTICS MUST BE CHOSEN ACCORDING TO THE TYPE OF PAVING

Set Futsal goal:

- Screw M10x25 h.h n. 24
- Washer diam. 10 n. 24
- Screw M8x45 n. 8
- Washer diam. 8 n. 4
- Nut M8 N. 4
- Screw 3.9x25 n. 60
- Nylon anchor n. 60
- Post n. 4
- Crossbar n. 2
- Upper support n. 4
- Lower support n. 4
- Support tie-bar n. 4
- Spacer support n. 2

Fig 2



STEEL STANDARD FOOTBALL GOAL IN 5, PORTABLE.



Art. 6800

Data: 30/08/2011
Aggiornamento n° 0

Pagina: 2/2