

PARTS LIST FOR 1 PAIR OF GOALS

- n° 2 crossbars;
- n° 4 posts;
- n° 4 upper support for net;
- n° 4 lower support for net;
- n° 4 reinforcements for upper net support;
- n° 2 union for lower net support;
- n° 4 caps $\varnothing 80$ mm.;
- n° 60 (+2 spare) hook support net;
- n° 4 junctions;
- n° 20 screws M8x20;
- n° 8 screws M8x45;
- n° 16 screws M8x25;
- n° 24 washer $\varnothing 8$ mm.;
- n° 24 nuts M8.

WARNING:

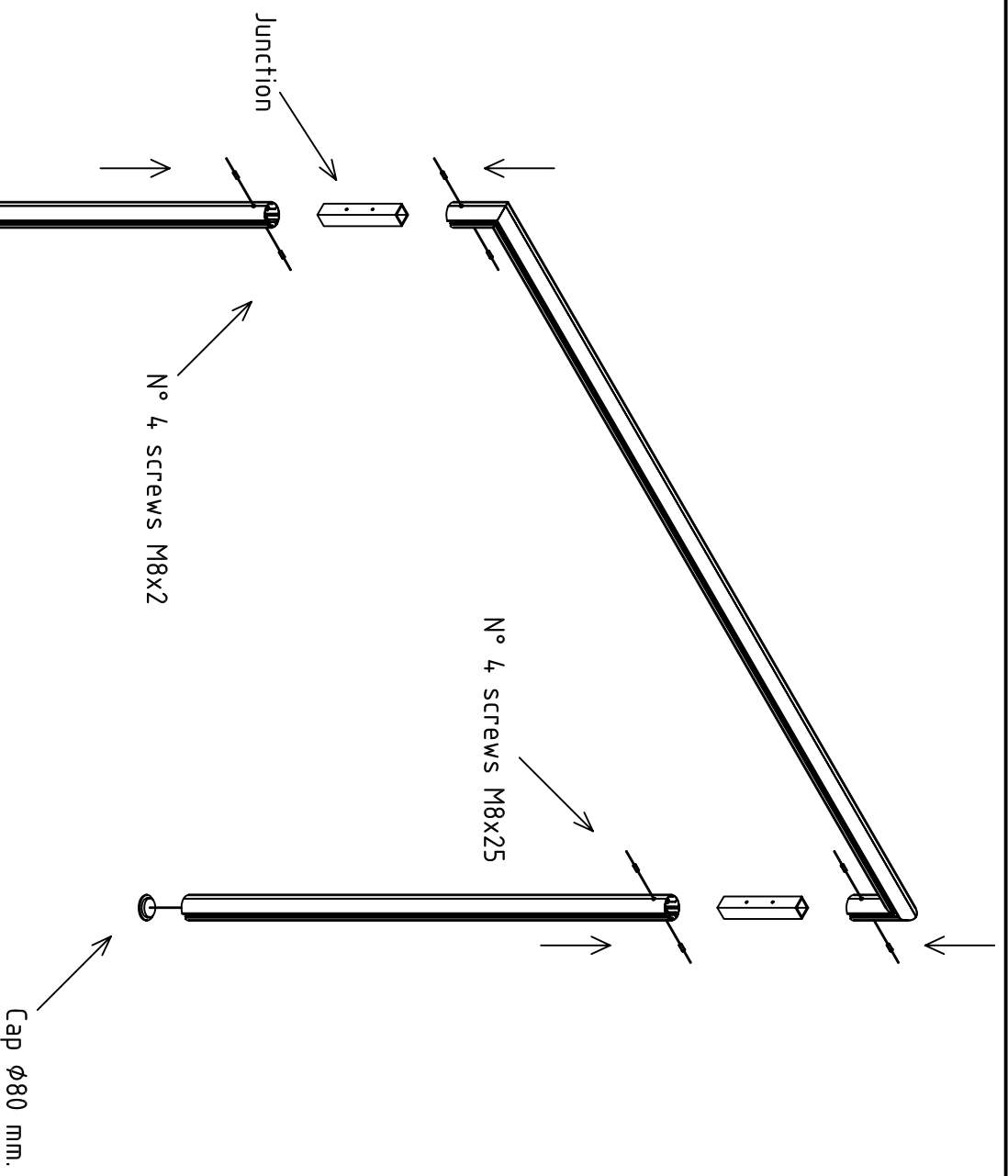
To avoid tipping over the goal still always on the ground with the anchors appropriate to the type of flooring.

Aluminium futsal goals 3000x200 cm. freestanding

VIVISPORT
attrezzature sportive

Art. 6802

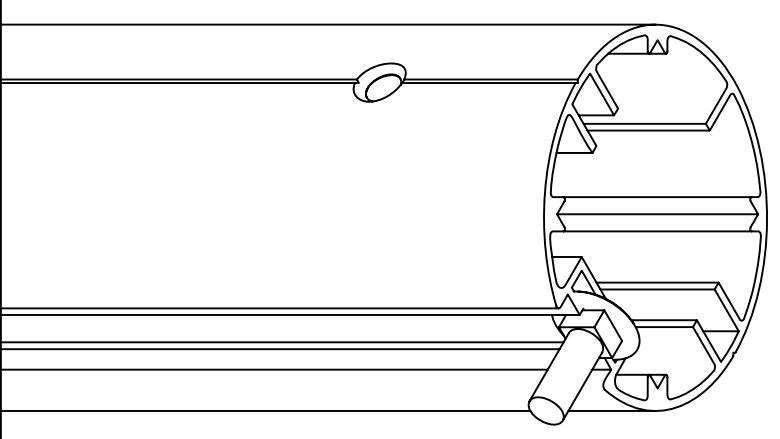
Page: 1/3

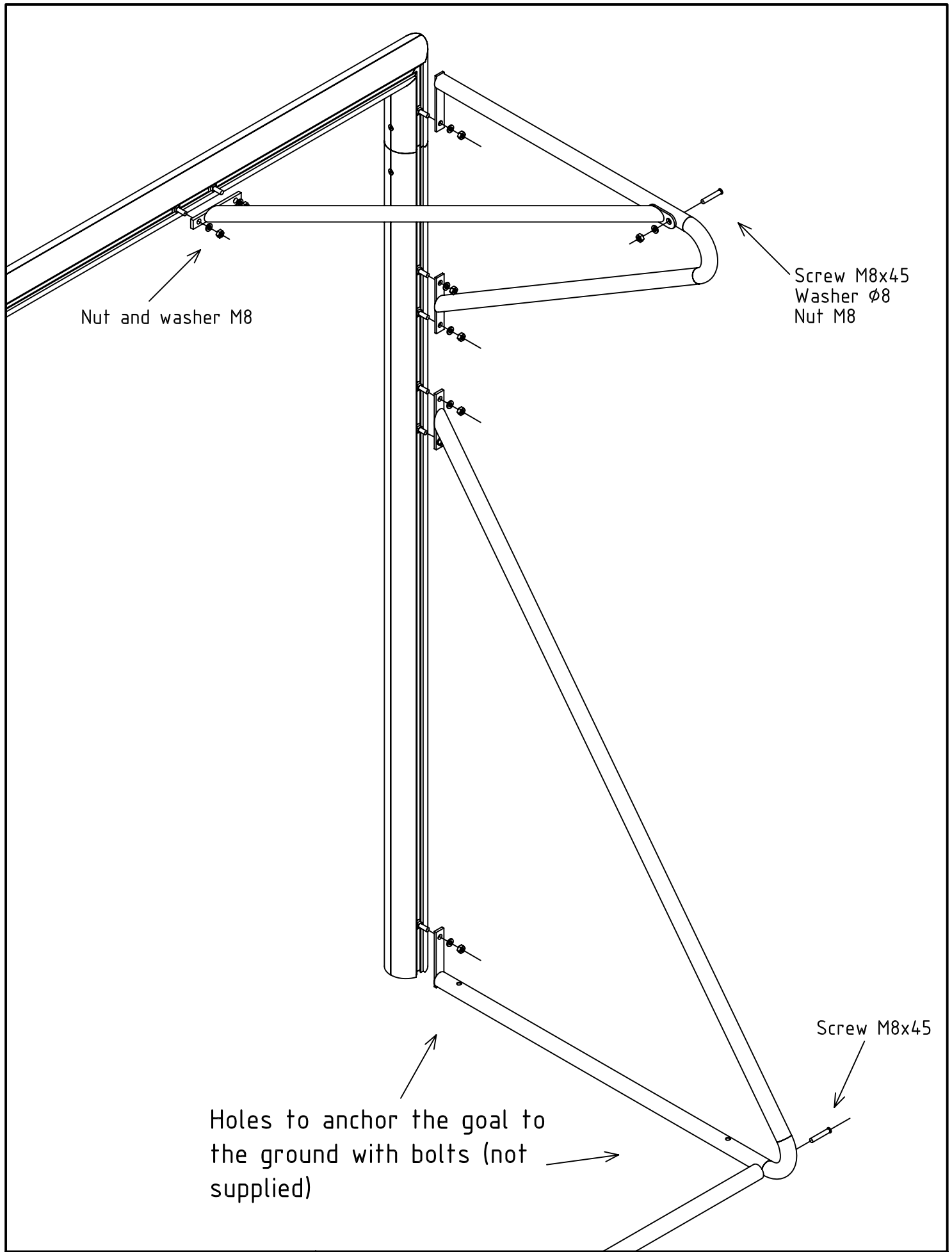


Insert the screws in the slot as shown in the drawing below.

N° 4 screws M8x20 for the crossbar;
 N° 6 screws M8x20 for the post.

The cap should be applied to the post only after all the screws in the slot.





VIVISPORT
 attrezzature sportive

Aluminium futsal goals 300x200 cm. freestanding

Art. 6802

Page: 3/3