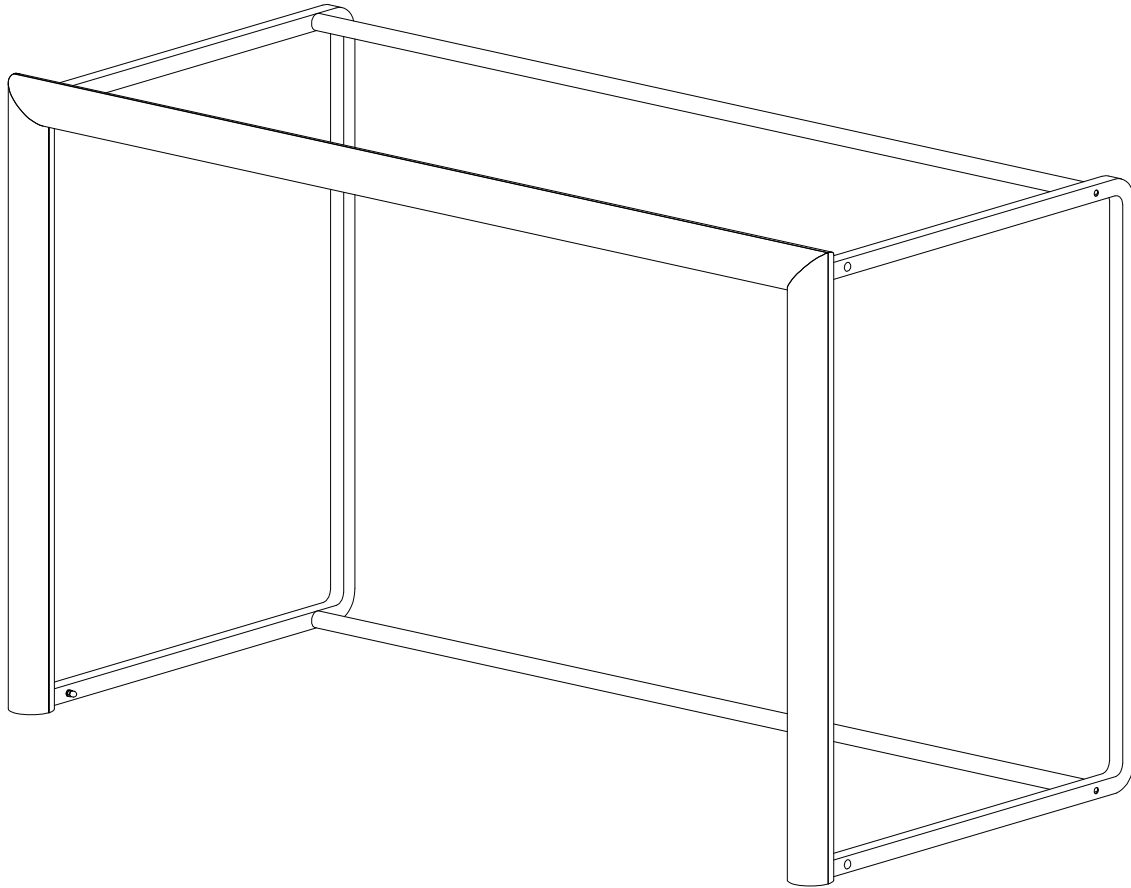


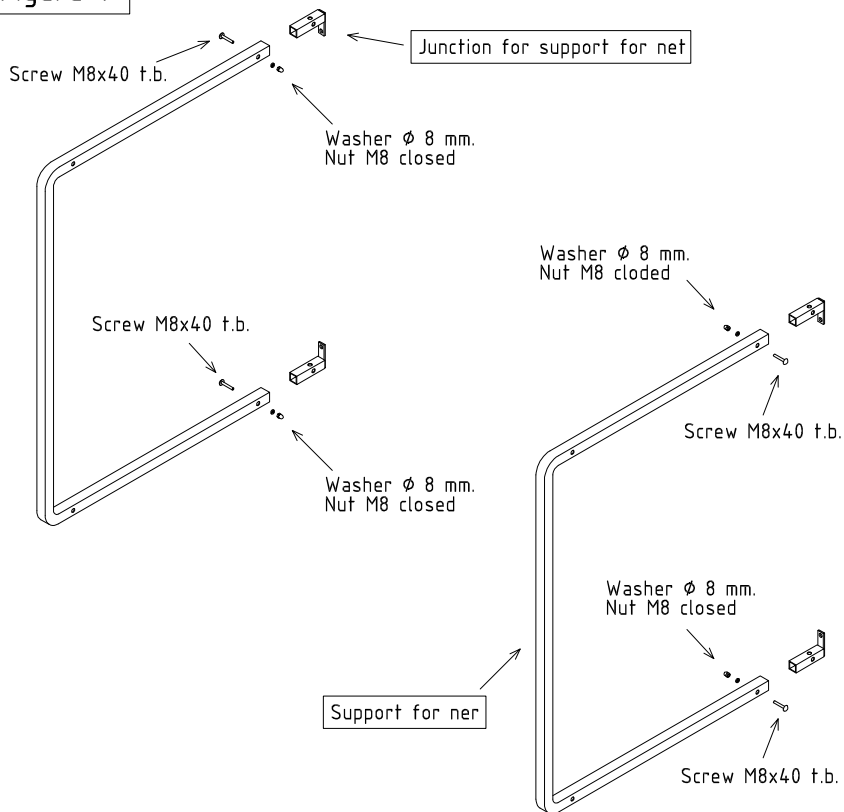
ART. 6008 PAIRS OF GOALS 170x105h. CM., MADE IN ALUMINIUM Ø 80 MM., MOBILE, NETS INCLUDED



PARTS LIST FOR 1 PAIR OF GOALS

- N. 2 frame posts - crossbar;
- N. 8 junctions for support for net;
- N. 4 supports for net;
- N. 4 unions for supports for net;
- N. 4 caps Ø 80 mm.;
- N. 40+2 hooks support net;
- N. 2 nets;
- N. 16 plastic strips to tie the nets;
- N. 8 screws M8x20 t. b.;
- N. 16 washers Ø 8 mm.;
- N. 8 nuts M8;
- N. 8 screws M8x40 t. b.;
- N. 8 nuts closed M8;
- N. 8 screws M8x40 t. c..

Figure 1



ASSEMBLY INSTRUCTIONS

- Install junction for support for net (Fig. 1);
- Insert screws M8x20 in the posts (Fig. 3)
- Install supports for net in the goal (Fig. 3);
- Install union for supports for net (Fig. 3);
- Install hooks in the posts and crossbar (Fig. 4);
- Install the net;
- Fix the net at the bottom of the goal using the plastic strips.

Figure 3

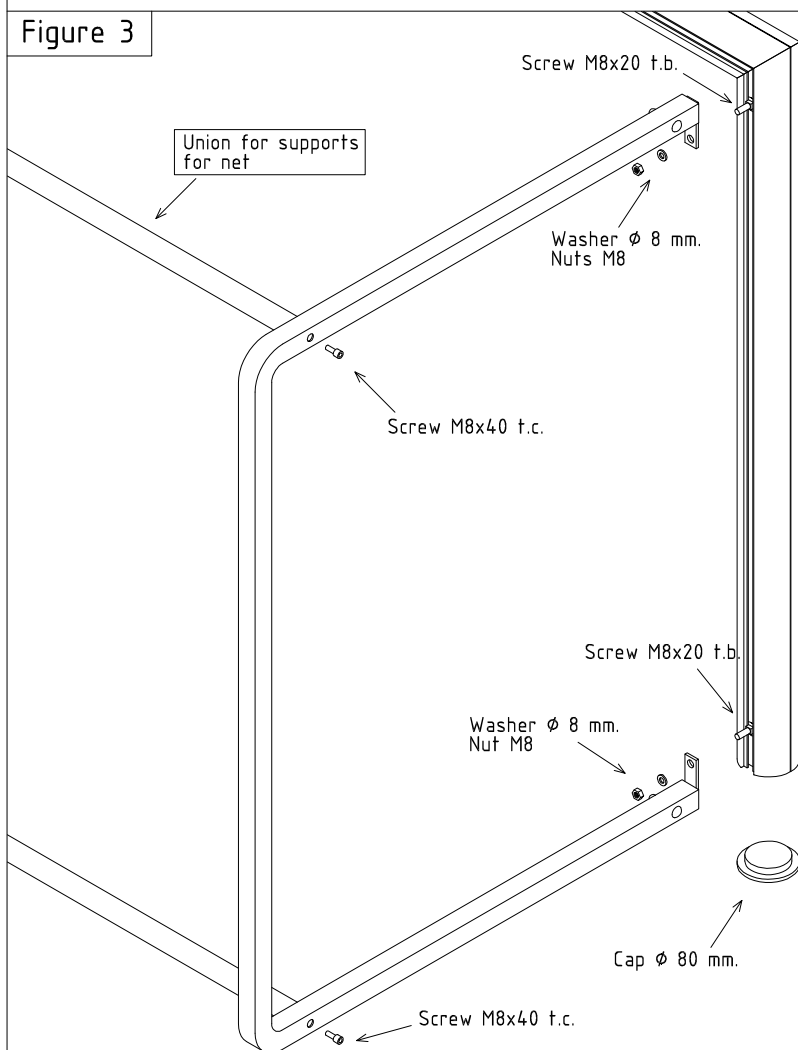


Figure 2

Insert the screws in the slot as shown in the drawing below

N° 2 screws M8x20 for the each post.

The cap should be applied to the post only after all the screws in the slot.

Figure 4

