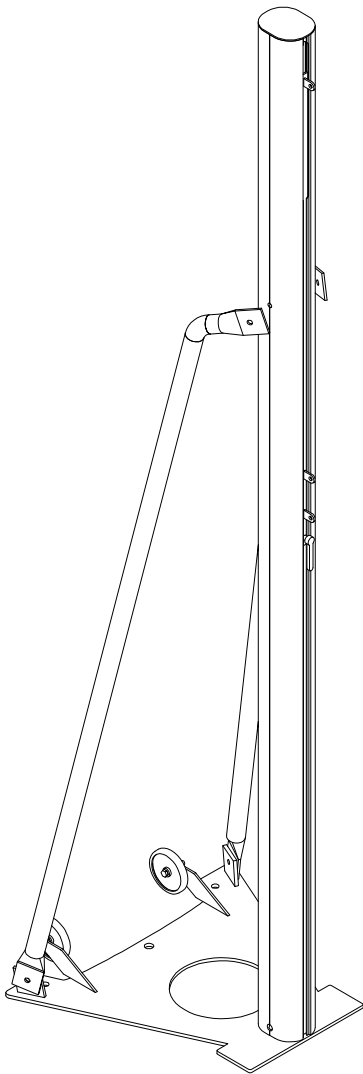


ART. 5029 TRELLIS ALLUMINIUM VOLLEYBALL SYSTEM, OVAL SECTION 120X100 MM. WITH INTERNAL MECHANISM, REDUCED TIE-RODS.



Volleyball system in accordance to UNI EN 1271: 2005 - Equipment for volleyball playground - volleyball equipment - test methods.

UNI EN 1271 specify functional and safety requirements for 2 volleyball systems types for indoor and outdoor systems but is not apply for beach volley equipment's.

Our volleyball system art. 5029 corresponds to type n. 2 with ground fixings and cat. C "school training".

PRODUCT DESCRIPTION

Volleyball system with trellis realised in aluminium, oval section 120x100 mm. with reduced tie-rods. All the mechanisms to adjust post and net heights are inside the post. The fixing in the ground are with tie-rods.

WARNINGS

- Before starting the assembly or use the system, read carefully instructions and verify the presence of all the components.
- This system has been designed exclusively for volleyball not for others uses;
- Do not climb on the posts or net;
- To adjust post height or the net, use only the supplied handle, don't force it at the end, it is absolutely forbidden the use of any electrical device (drill, screwdriver...) that invalidate the warranty of the product;

MAINTENANCE

- Once a year oil all mechanisms;
- Once a year control the general condition of the volleyball system.

In case of structural failures or deformations, breaks or anomalies in general, contact immediately the installer or the dealer.

LIST OF COMPONENTS FOR 1 SYSTEM ART. 5029

n° 2 bases;
n° 2 posts;
n° 4 tie bar for post-base junction;
n° 4 wheels diam. 100mm.;
n° 1 handle net stretching;
n° 2 handles;
n° 4 snap hook 8X80mm;
n° 4 tie-rods;
n° 4 screws M10x60;
n° 4 screws M10x40;
n° 4 screws M10x25;
n° 4 screws M8x25 plain head;
n° 12 nuts M10;
n° 20 washers diam 10mm;
n°1 Handle.
n° 4 dowels M12 20/80
n° 2 rope clamps Ø6

ASSEMBLY INSTRUCTION:

Fix the post to the base (Fig. 3)

Fix tie-bar base-post junction (Fig. 2-4)

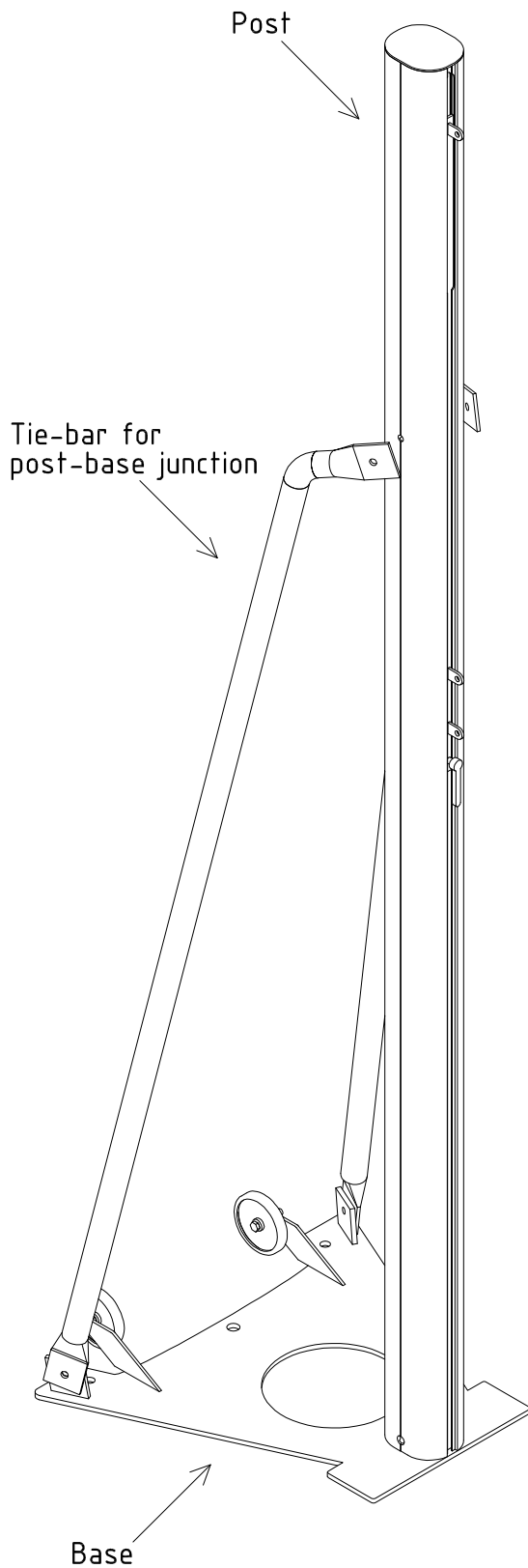
Fix wheels to the base (Fig. 1)

Fix the base to the floor with tie-rods (Fig. 1)

IMPORTANT

Fix the base to the floor with appropriate tie-rods.

Before removing M10x40 already screwed in the hole of junction tie-bar post, fix another one in the opposite hole to not make falling the sliding.



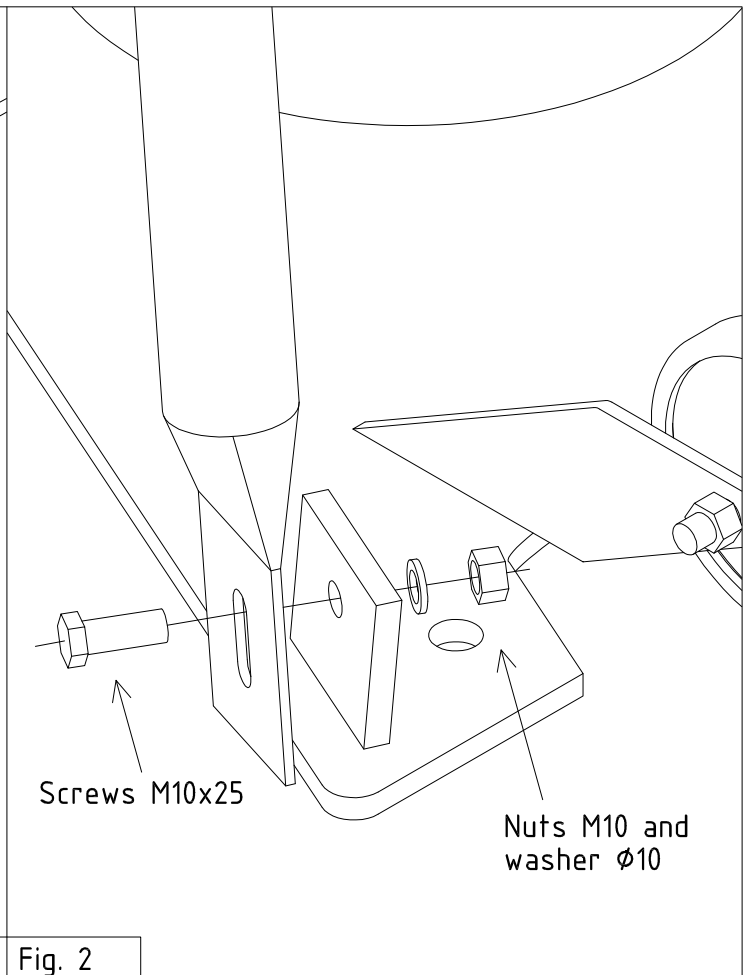
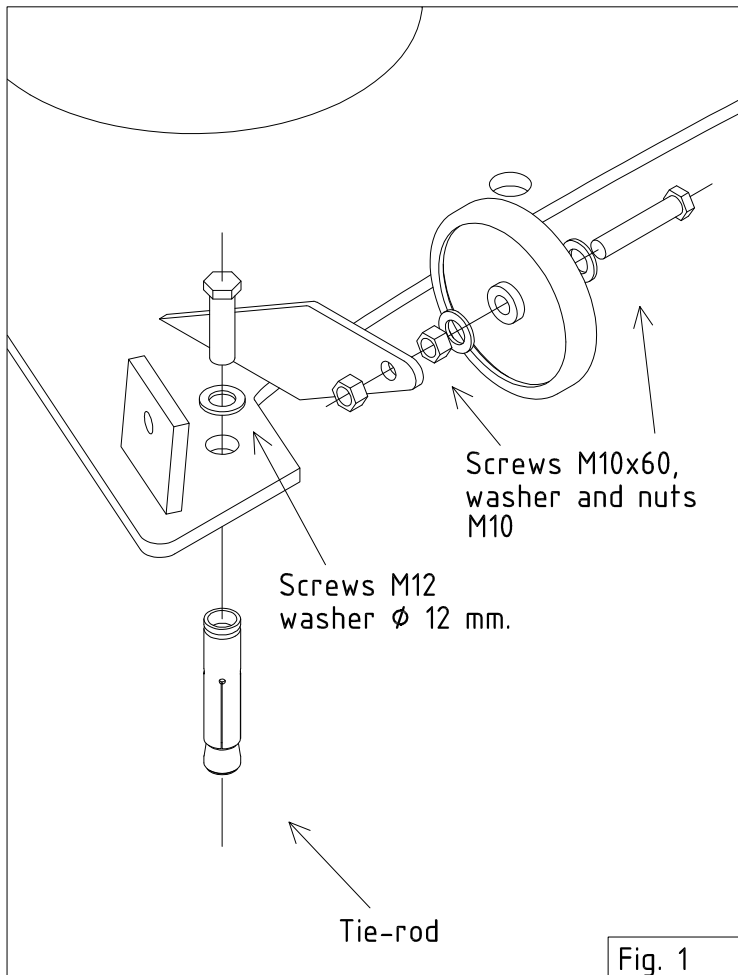


Fig. 1	Fig. 2
Fig. 3	Fig. 4

