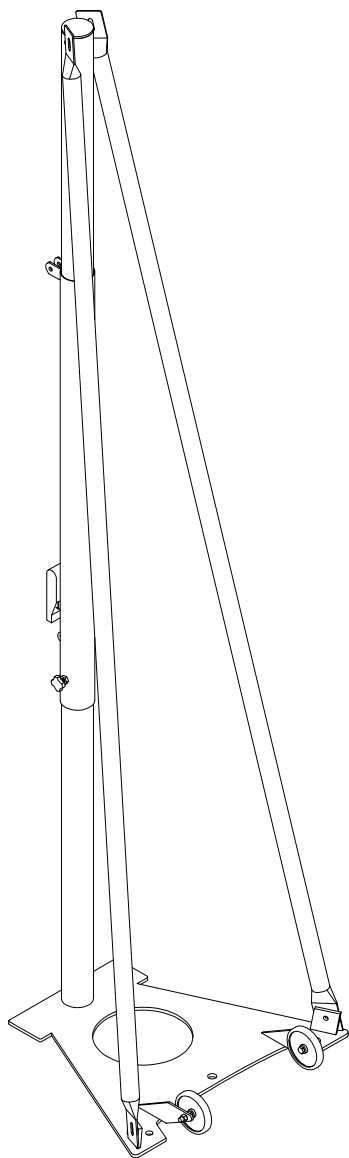


ART. 5020T TRELLIS ALLUMINIUM VOLLEYBALL SYSTEM, BASE LASER CUT PLATE ANTI - TWISTING, PORTABLE WITH WHEELS.



Volleyball system in accordance to UNI EN 1271: 2005 - Equipment for volleyball playground - volleyball equipment - test methods.

UNI EN 1271 specify functional and safety requirements for 2 volleyball systems types for indoor and outdoor systems but is not apply for beach volley equipment's.

Our volleyball system art. 5005 corresponds to type n. 2 with ground sockets and cat. C "School Training".

PRODUCT DESCRIPTION

Volleyball system with trellis in steel realised. Base laser cut, anti-twisting. Posts could be easily transported with wheels positioned on the base. Floor fixing with tie-rods.

ASSEMBLY INSTRUCTION:

- Fix sliding post to the base (Fig. 4)
- Fix the tie bar at the post and base (Fig. 3-5)
- Fix the cap on the post (Fig. 5)
- Fix wheels on the base (fig. 2)
- Fix the system with tie-rods (Fig.2)

WARNINGS

- Before starting the assembly or use the system, read carefully instructions and verify the presence of all the components.
- This system has been designed exclusively for volleyball not for others uses;
- Do not climb on the posts or net;
- Always fix to the floor with appropriate anchors;

MAINTENANCE

- Once a year oil all mechanisms;
- Once a year control the general condition of the volleyball system.

In case of structural failures or deformations, breaks or anomalies in general, contact immediately the installer or the dealer.

Figura 1

LIST OF COMPONENTS:

- n° 2 bases;
- n° 1 sliding post with net tensioner;
- n° 1 simple post;
- n° 4 tie- bars for base and post;
- n° 4 wheels diam. 100mm;
- n° 2 hand wheels M10;
- n° 4 tie-rod;
- n° 2 caps diam. 70mm ;
- n° 1 band with hook;
- n° 4 screws M10x60;
- n° 4 screws M10x25;
- n° 2 screws M14x40
- n° 16 nuts M10;
- n° 8 washers diam. 10 mm;
- n° 4 spacers;
- n° 2 snap hook 8x80;
- n° 2 clamp for rope diam. 6;
- n° 4 screws M10x60;
- n° 4 nuts M12;

IMPORTANT:

Fix the base to the floor with appropriate tie-rods.

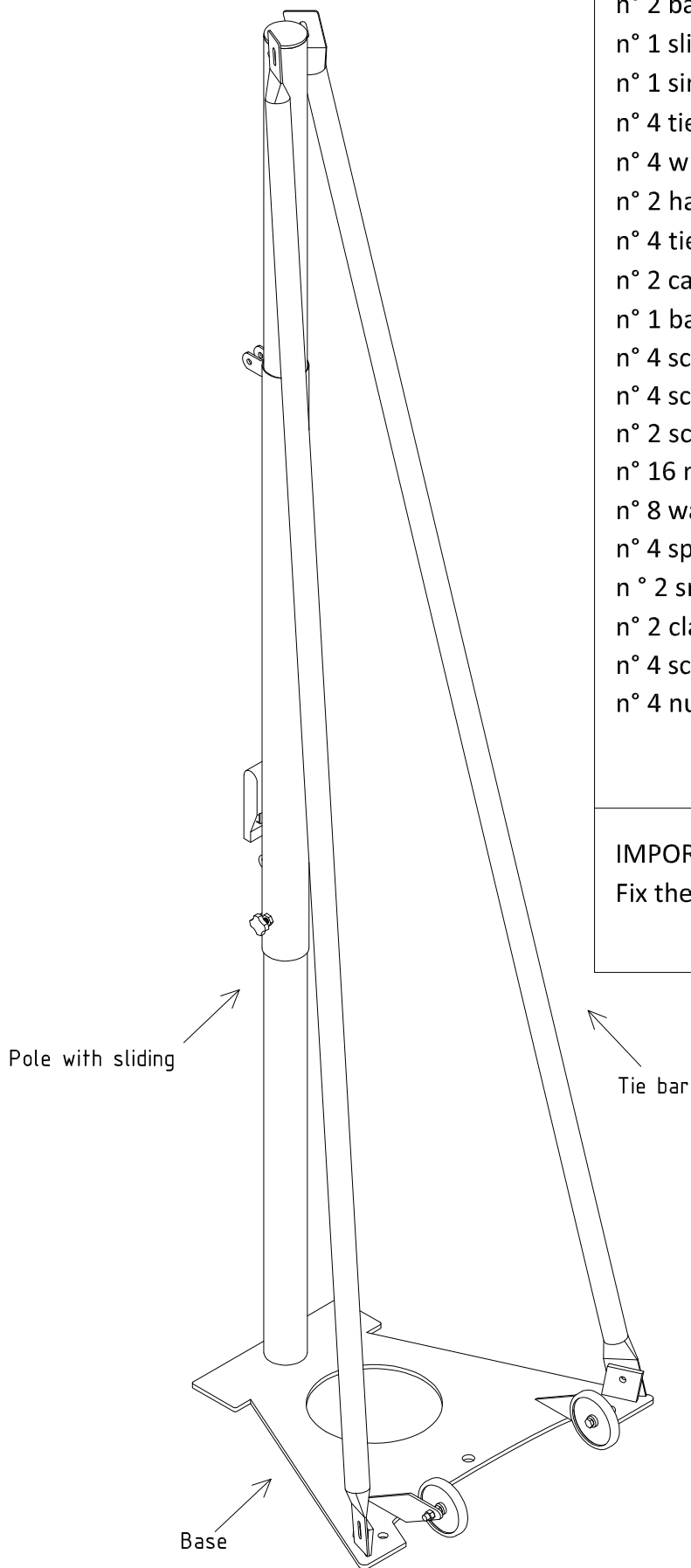


Fig. 2

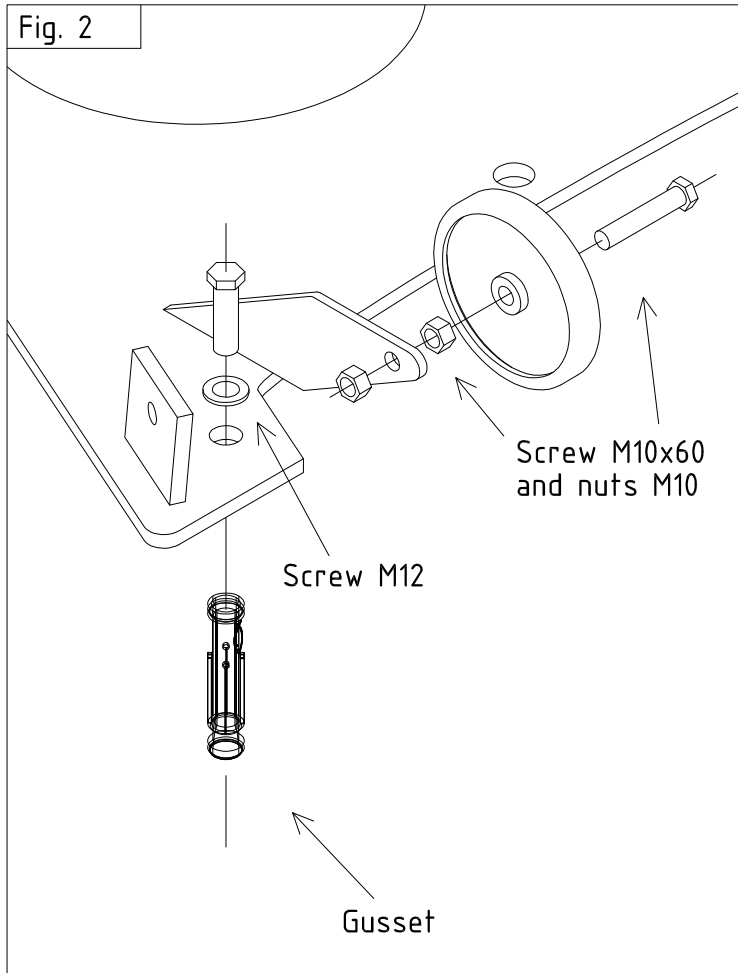


Fig. 3

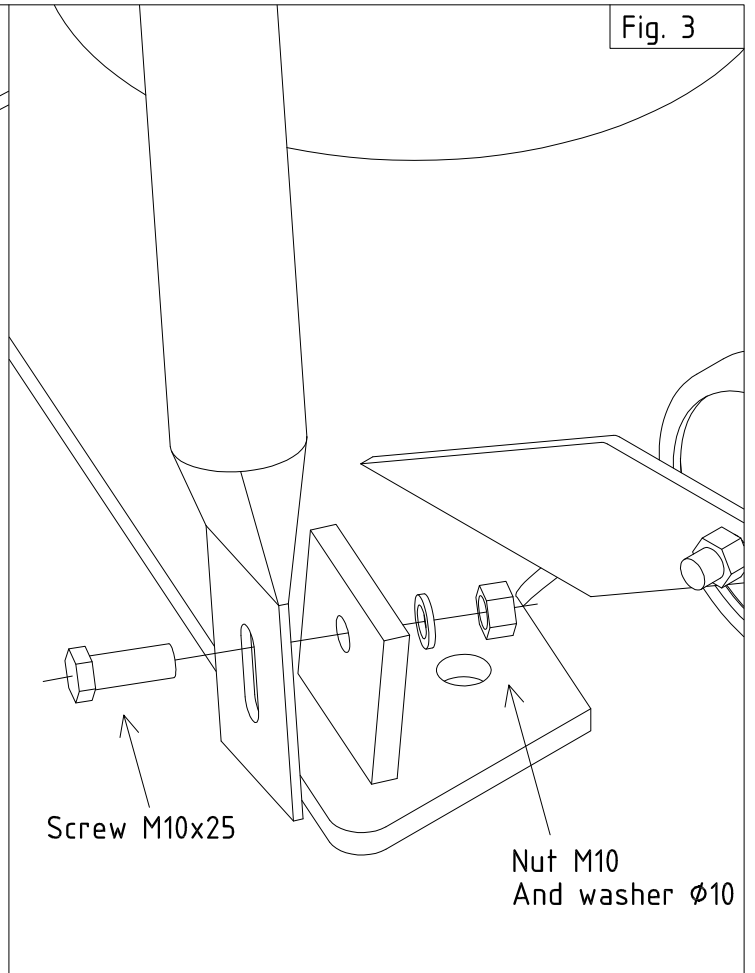


Fig. 4

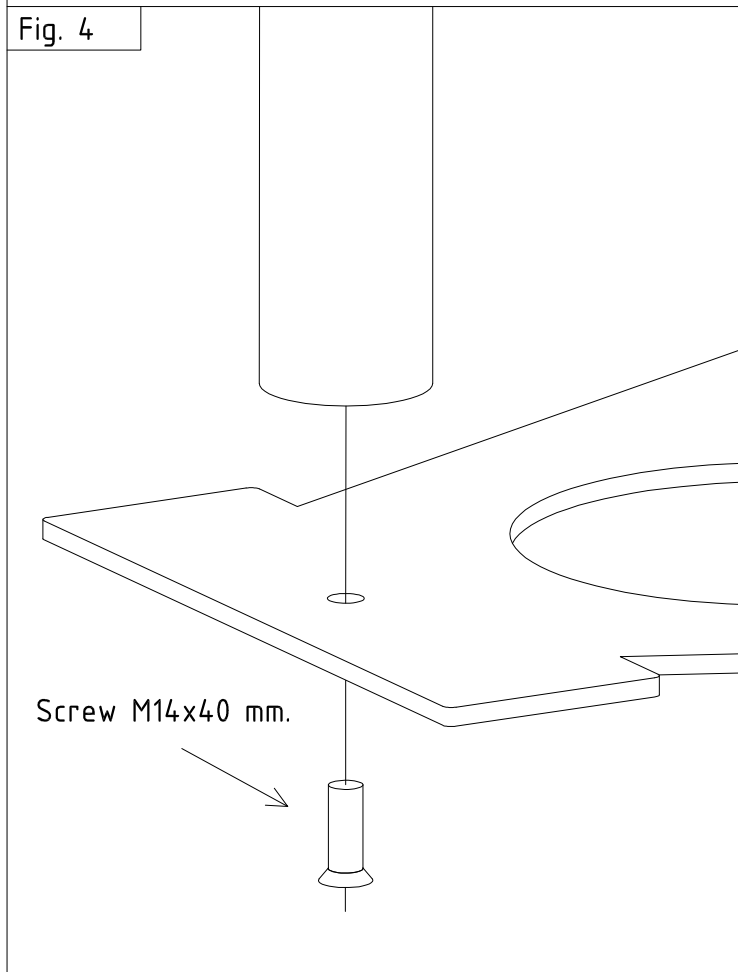


Fig. 5

