

ART. 5021 TRELLIS STEEL VOLLEYBALL SYSTEM, BALLAST BOX EQUIPPED

PRODUCT DESCRIPTION

Volleyball system with trellis realised in steel. Ballast box equipped, laser cut plate, anti - twisting, removable.

ASSEMBLY INSTRUCTION:

Fix the plate on the post -base;

Fix the boxes for ballast;

LIST OF COMPONENTS:

n° 4 boxes;

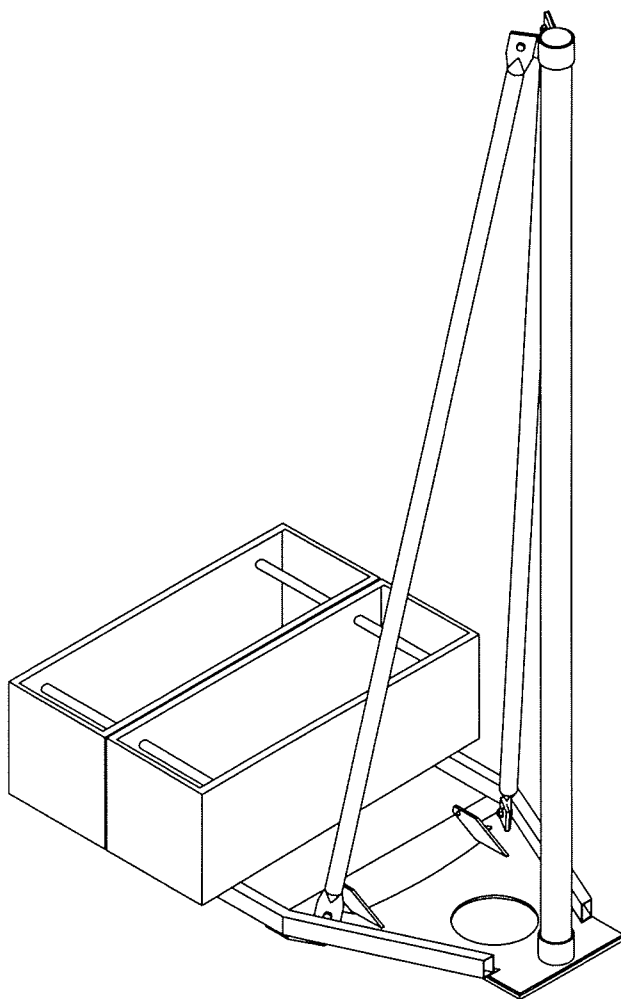
n° 2 bases;

n° 4 screws M12x30 hexagonal head;

n° 8 screws M10x60;

n° 4 nuts M12;

n° 8 nuts M10 with washer.



WARNINGS

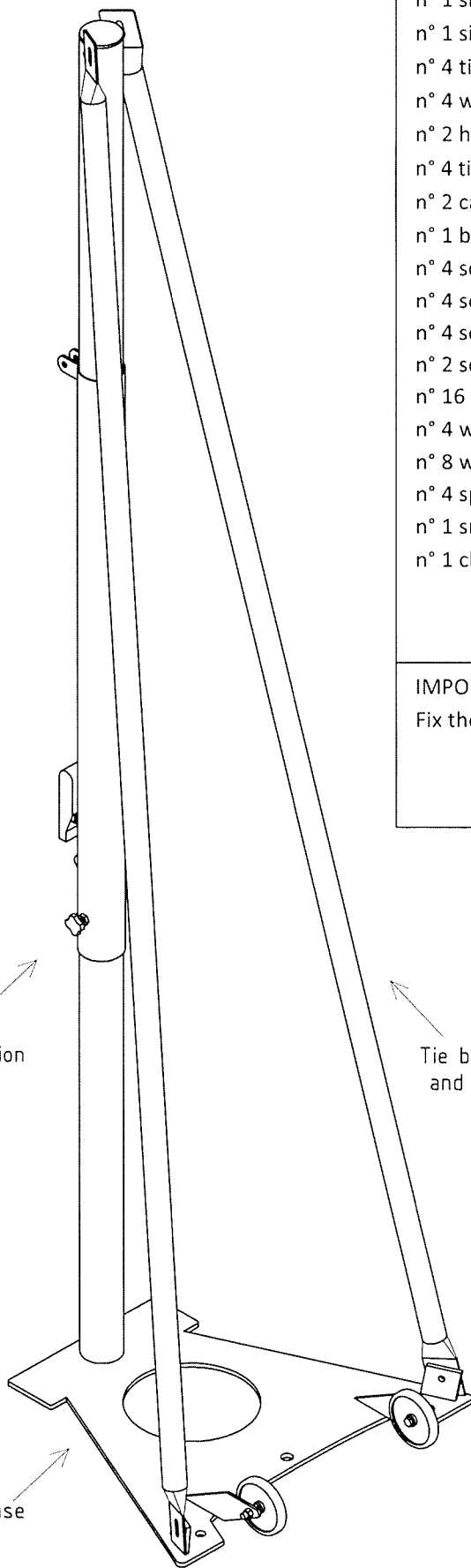
- Before starting the assembly or use the system, read carefully instructions and verify the presence of all the components.
- This system has been designed exclusively for volleyball not for others uses;
- Do not climb on the posts or net;
- To adjust post height or the net, use only the supplied handle, don't force it at the end, it is absolutely forbidden the use of any electrical device (drill, screwdriver...) that invalidate the warranty of the product;

MAINTENANCE

- Once a year oil all mechanisms;
- Once a year control the general condition of the volleyball system.

In case of structural failures or deformations, breaks or anomalies in general, contact immediately the installer or the dealer.

Figura 1



LIST OF COMPONENTS N. 1 SYSTEM ART. 5020

- n° 2 bases;
- n° 1 sliding post with gear net tensioner;
- n° 1 simple post;
- n° 4 tie- bars for base and post;
- n° 4 wheels diam. 100mm;
- n° 2 hand wheels M10;
- n° 4 tie-rod;
- n° 2 caps diam. 70mm ;
- n° 1 band with hook;
- n° 4 screws M12x40;
- n° 4 screws M10x60;
- n° 4 screws M10x25;
- n° 2 screws M14x35
- n° 16 nuts M10;
- n° 4 washers diam. 12 mm;
- n° 8 washers diam. 10 mm;
- n° 4 spacers;
- n° 1 snap hook 6x600;
- n° 1 clamp for rope diam. 6;

IMPORTANT:

Fix the base to the floor with appropriate tie-rods.

Sliding post with
winch for net tension

Tie bar for post
and base

Base



VIVISPORT
attrezzature sportive

TRELLIS STEEL VOLLEYBALL SYSTEM

Art. 5021

Data:
Aggiornamento n° 0

Pagina: 2/4

Figura 2

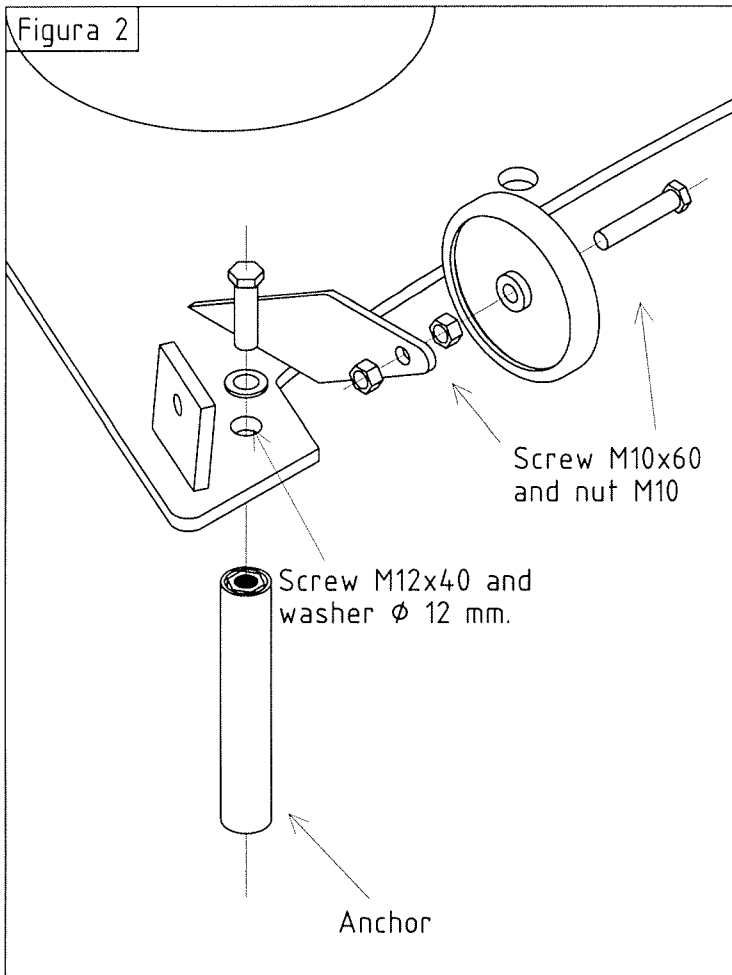


Figura 3

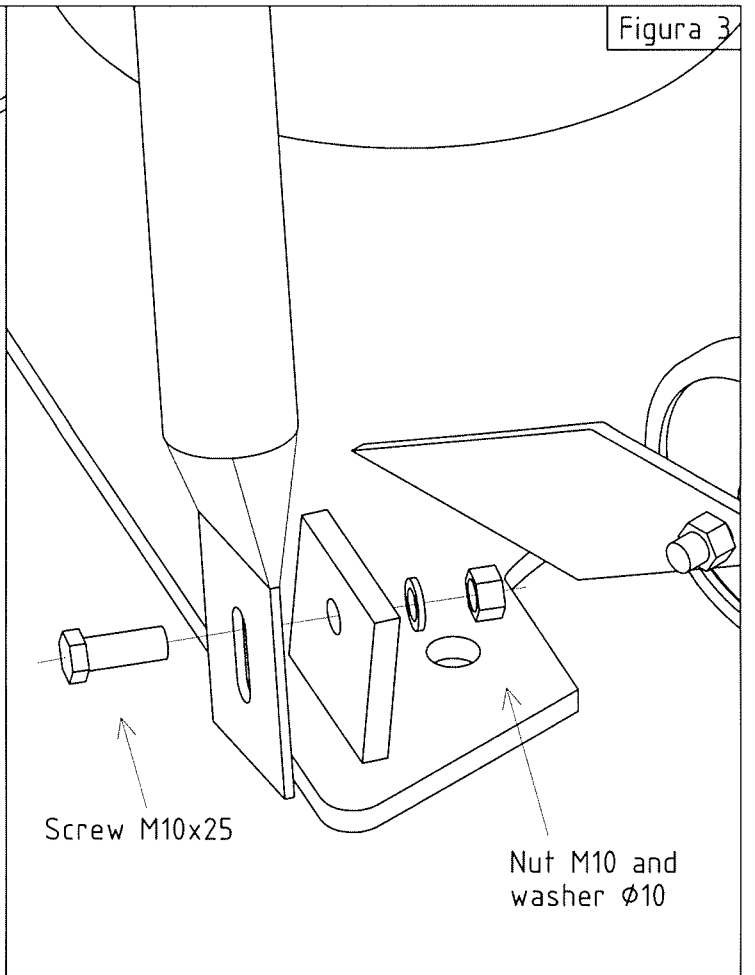


Figura 4

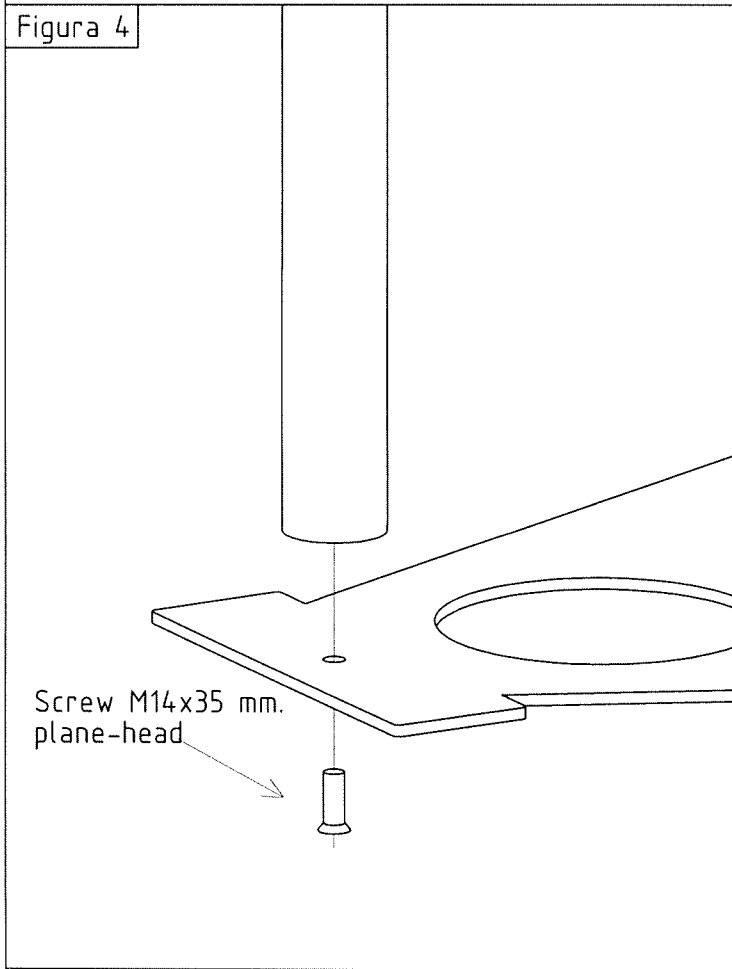
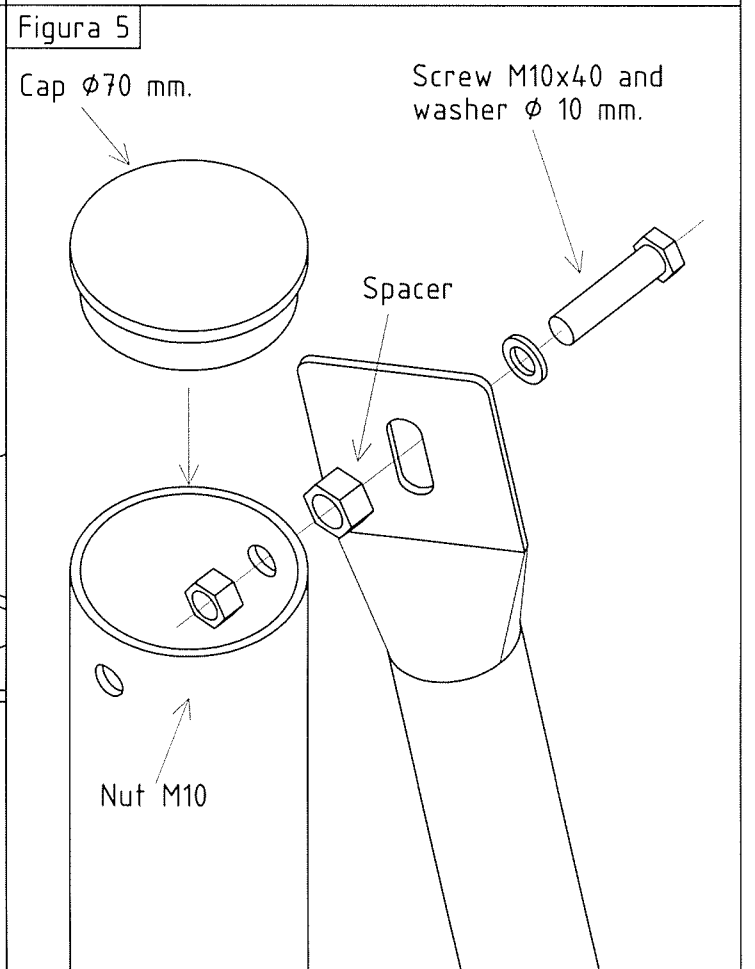
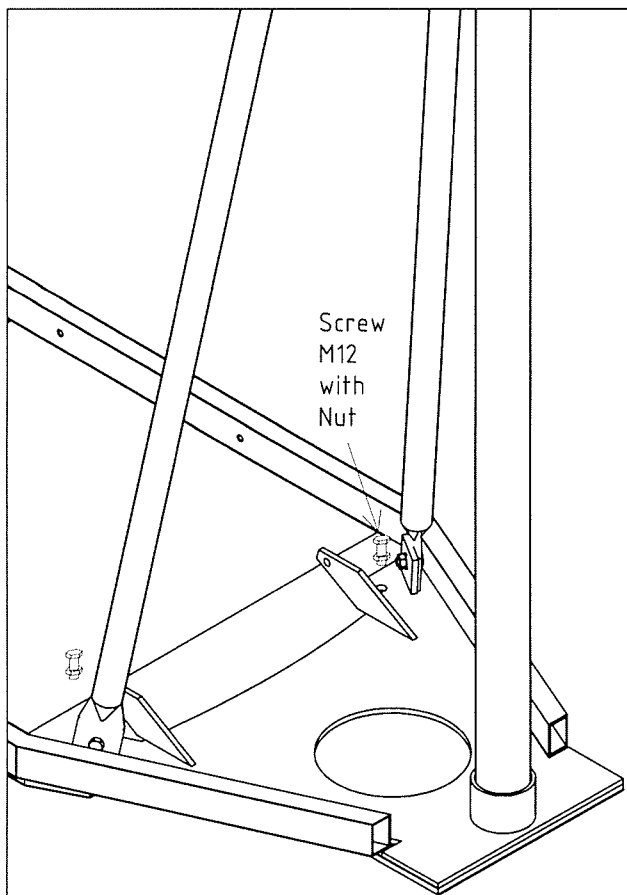
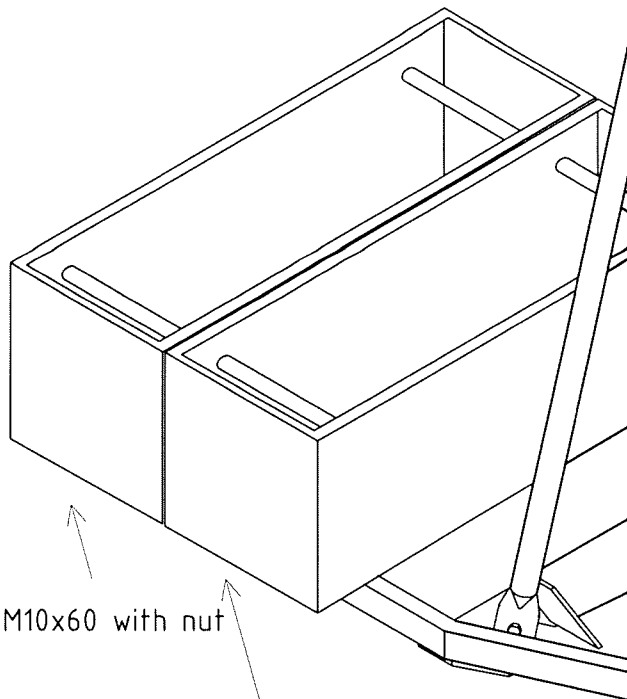


Figura 5





Screw
M12
with
Nut



Screw M10x60 with nut

Screw M10x60 with nut

Figura 5 Figura 6