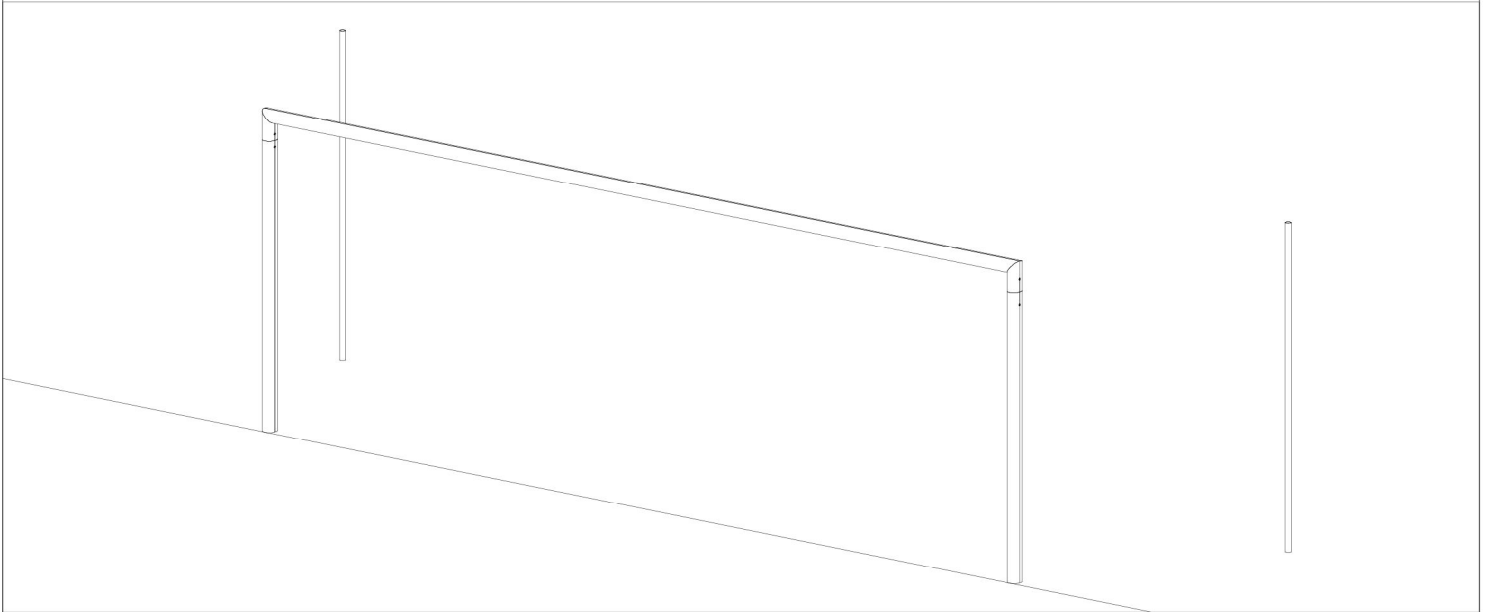


ART. 5907 ALUMINUM FOOTBALL GOALS SECTION 100x120 MM., FIXED WITH SOCKETS, WITH SPACED POLE HOLDER, IN COMPLIANCE WITH UNI EN 748.



This soccer goals complies with the UNI EN 748: 2005 standard. Equipment for playgrounds - Soccer goals - Functionality and safety requirements, test methods. The UNI EN 748 standard specifies the functionality requirements and safety requirements for 4 types and 2 sizes of football goals. The standard applies to soccer goals used during training and matches, both in outdoor and indoor sports facilities. Our goal art. 5907 corresponds to type 1 "football goal with sockets in the ground, with net support pole with sockets in the ground" size 7.32x2.44 meters.

PRODUCT DESCRIPTION

Standard soccer goals 7.32x2.44 meters made with aluminum profile oval section 100x120 mm. with internal strong profile to make goals even more stable and sturdy, the elbows are welded and the joints are in high thickness profile in special 6005 aluminum alloy. Complete with aluminum sockets, net support poles in hot galvanized steel, and plastic hooks for fixing the net. The lower net support must be fixed to the ground unless the flap is not applied. art. 6038 or 6056 (sold separately).

WARNINGS

Before using the system or starting assembly, read the instructions carefully and make sure that all components are present.

This goal is designed for football only and not for any other purpose.

Before using this product, check that all fasteners are fully tightened.

The goal must always be secured against tipping over.

Carry out periodic checks on the state and safety.

Do not climb onto the net or the goal frame.

MAINTENANCE

Check once a year that all fasteners are fully tightened.

Check the condition of the hooks once a year, replacing them if necessary.

Check the general condition of the doors once a year. In case of structural failures or deformations, breakages or anomalies in general, contact the installer or dealer immediately.

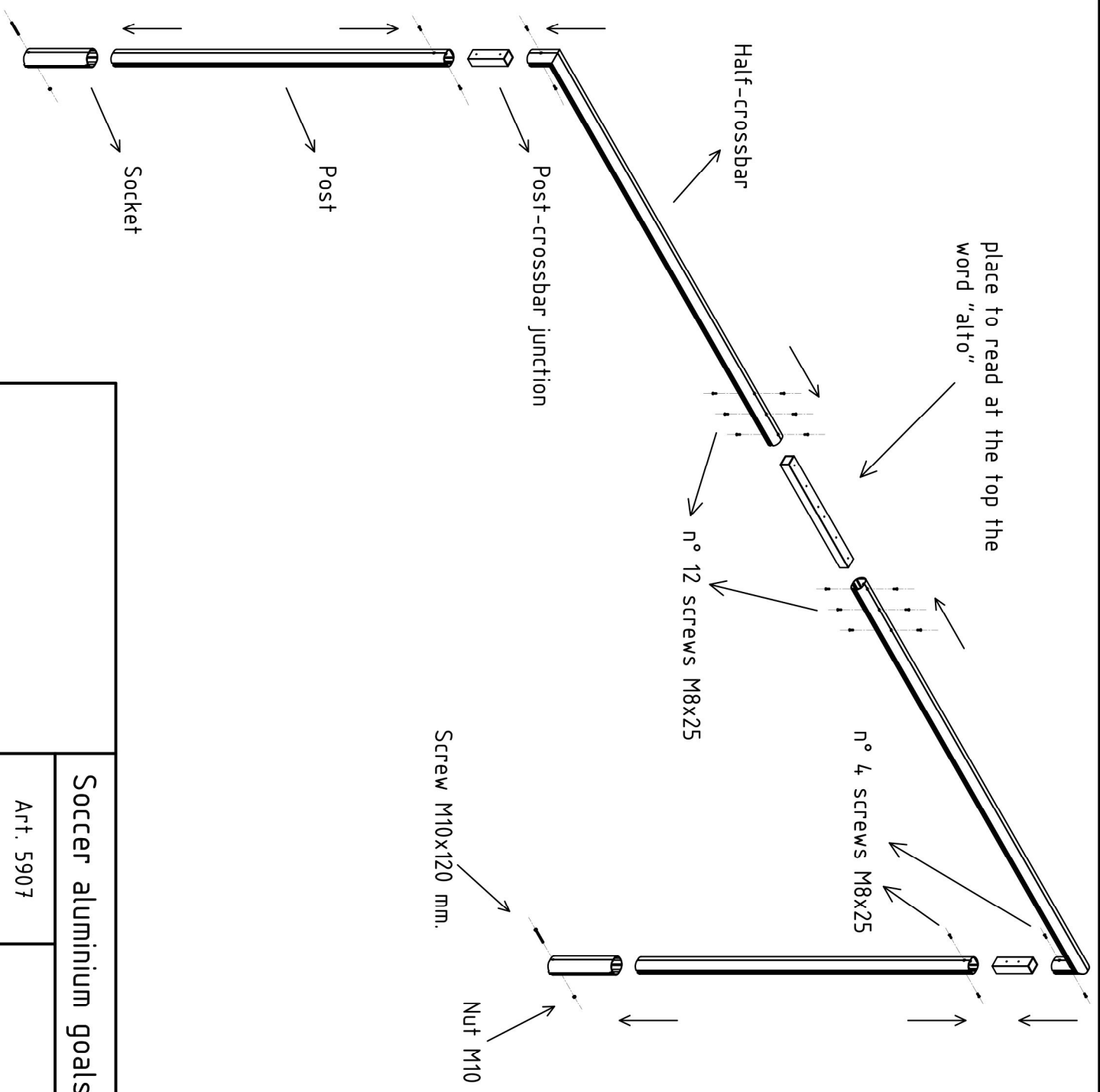
Soccer goals with spaced pole holders

Art. 5907

Data: 30/08/2011

Aggiornamento n° 0

Pagina: 1/5

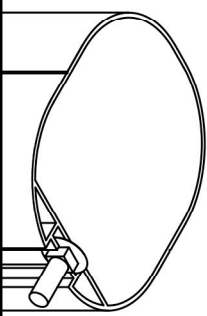


PARTS LIST FOR 1 PAIR OF GOALS

- n° 2 right posts for soccer goal;
- n° 2 left posts for soccer goal;
- n° 2 half-crossbars right;
- n° 2 half-crossbars left;
- n° 4 support poles for the net;
- n° 4 post-crossbar junctions;
- n° 2 crossbar junctions;
- n° 4 sockets for posts;
- n° 4 sockets for support pole;
- n° 100 hooks support net;
- n° 4 screws M10x40;
- n° 4 screws M10x120;
- n° 4 screws M8x20;
- n° 12 washers ϕ 10 mm.;
- n° 8 nuts M10;
- n° 4 screws M8x100;
- n° 4 nuts M8;
- n° 40 screws M8x25;
- n° 4 spring clips;
- n° 4 eyebolts M8.

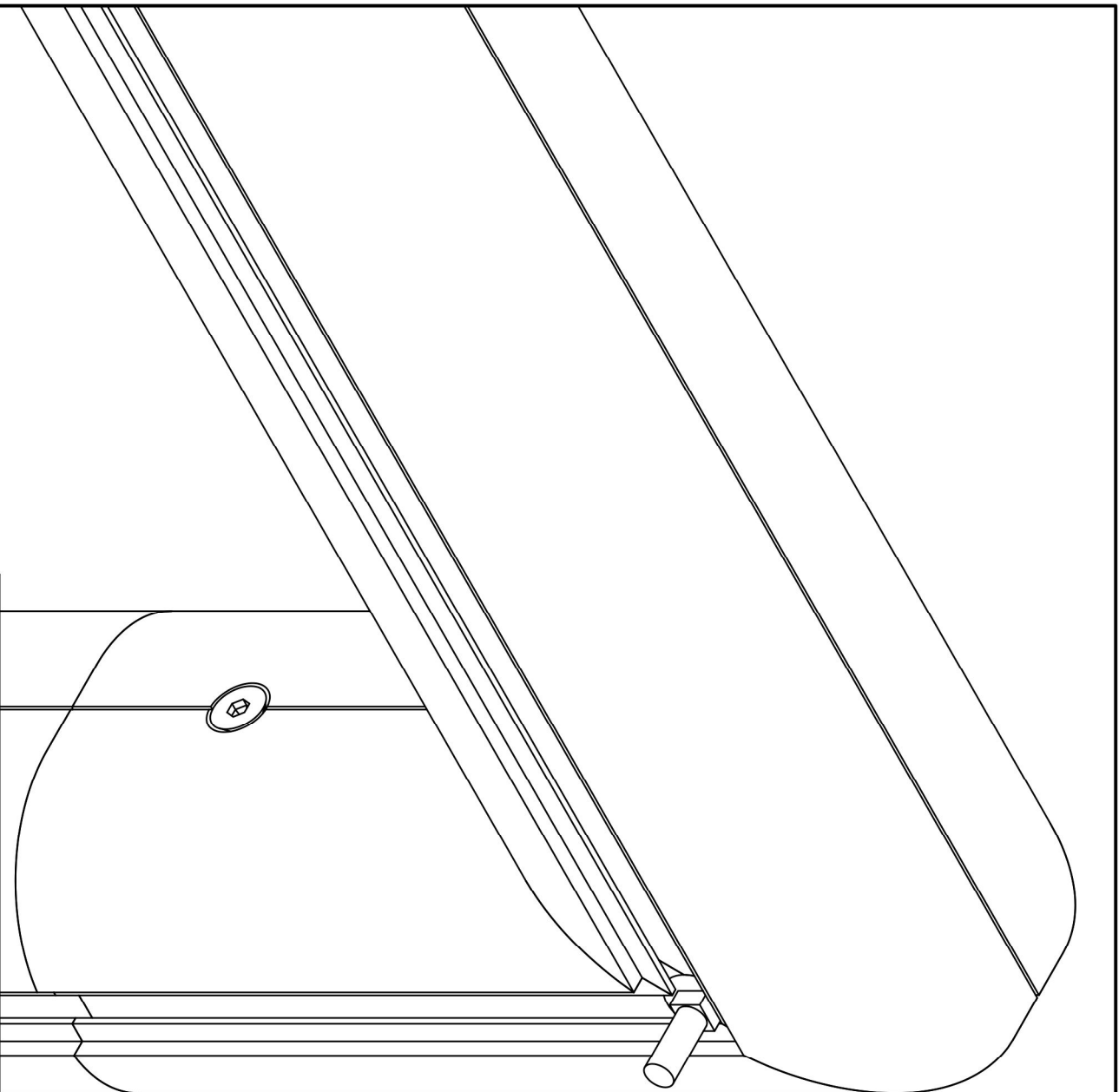
Put the screws M8x20mm. as the picture below.

N° 1 screw per half crossbar.



Soccer aluminium goals, free hanging net supports

Art. 5907



Screw M8x20

N° 3 washers ϕ 10 mm.

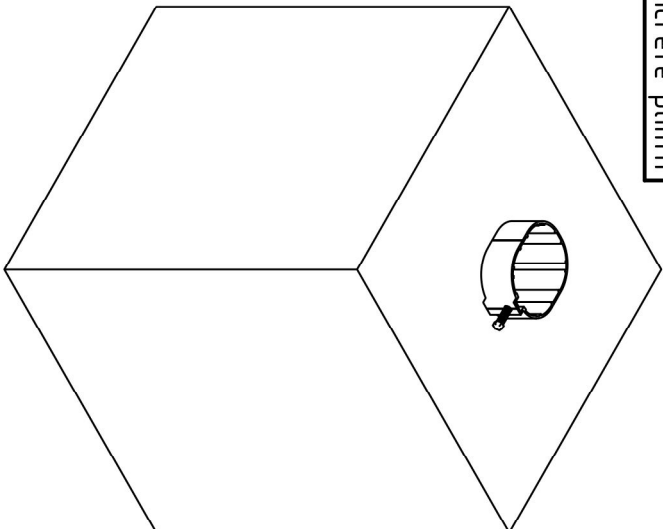
Eyebolt M8

Soccer aluminium goals, free hanging net supports

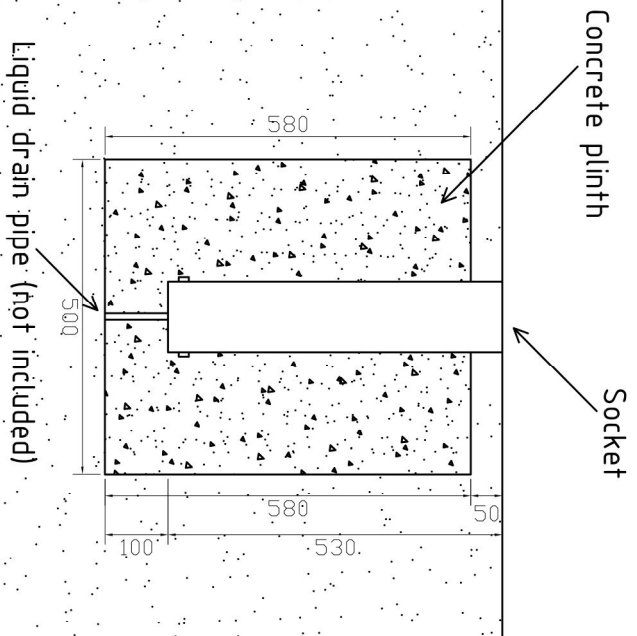
Art. 5907

Page: 3/5

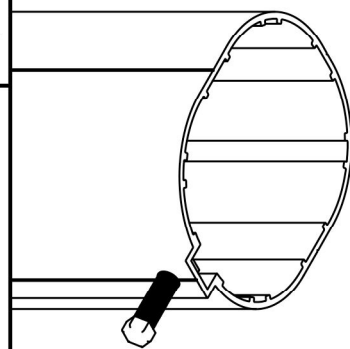
Concrete plinth



Section

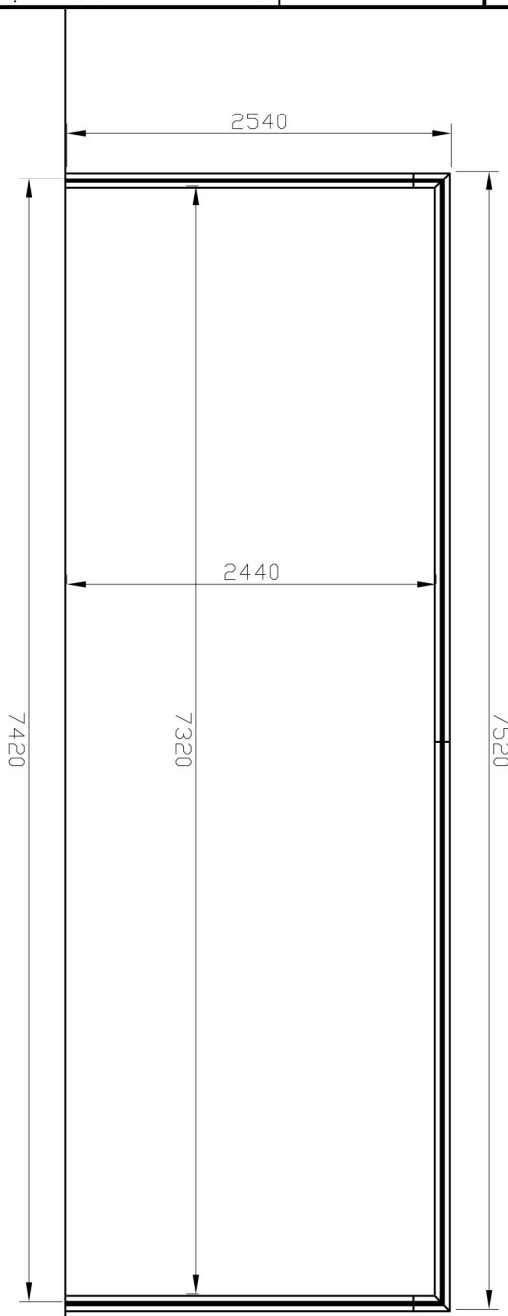


Rear view



Put the nut M10 in to lane of the socket and fix it with the screw M10x40 as in the picture.

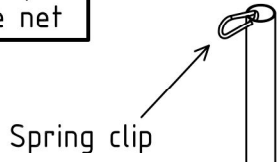
Place the sockets with the lane to the outside of the field. To facilitate the drainage of fluids is recommended to apply a tube in the cement between the socket and the end of the plinth.



Soccer aluminium goals, free hanging net supports

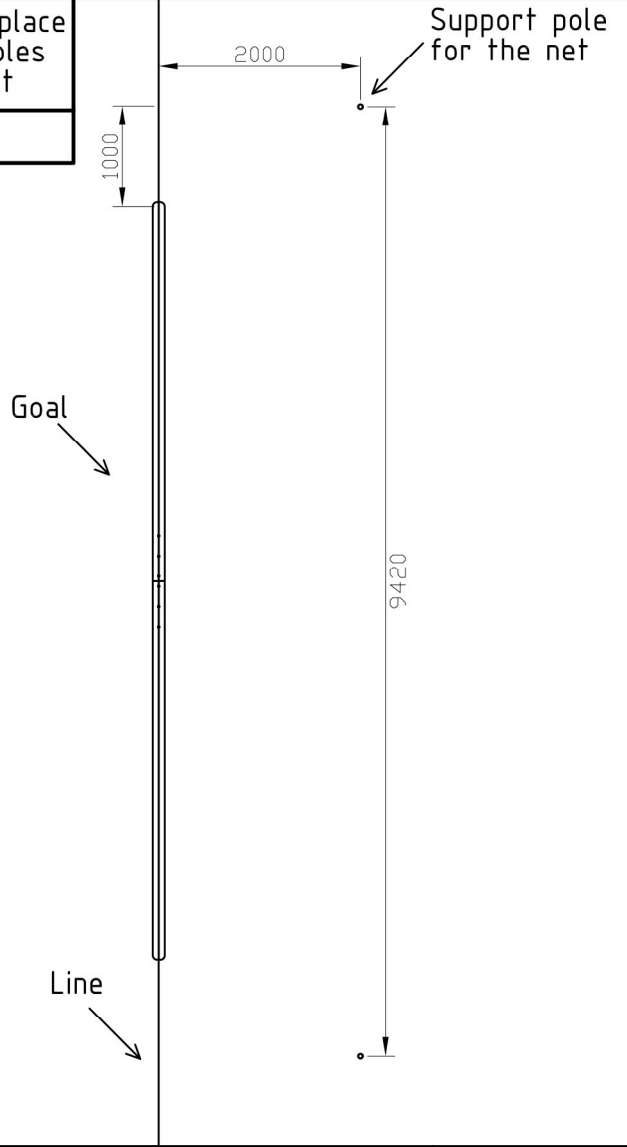
Art. 5907

support pole for the net

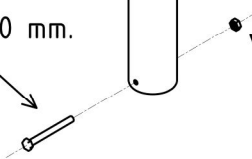


Where to place support poles for the net

Top view



Screw M8x100 mm.

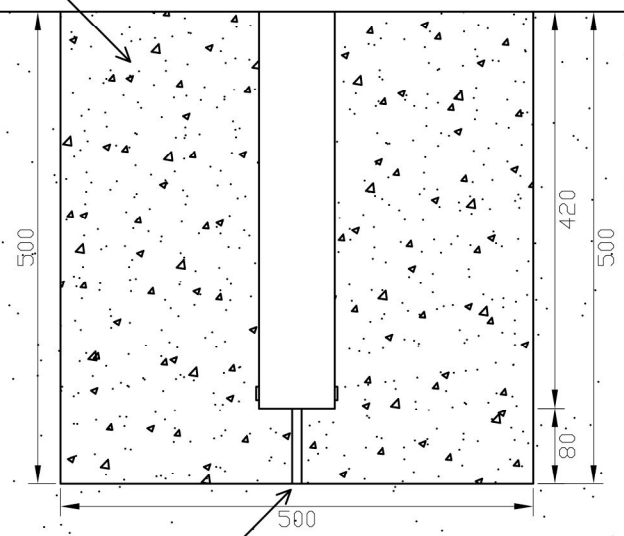


Nut M8

Concrete plinth 500x500x500 mm.

Concrete plinth

Socket



Soccer aluminium goals, free hanging net supports

Art. 5907

Page: 5/5