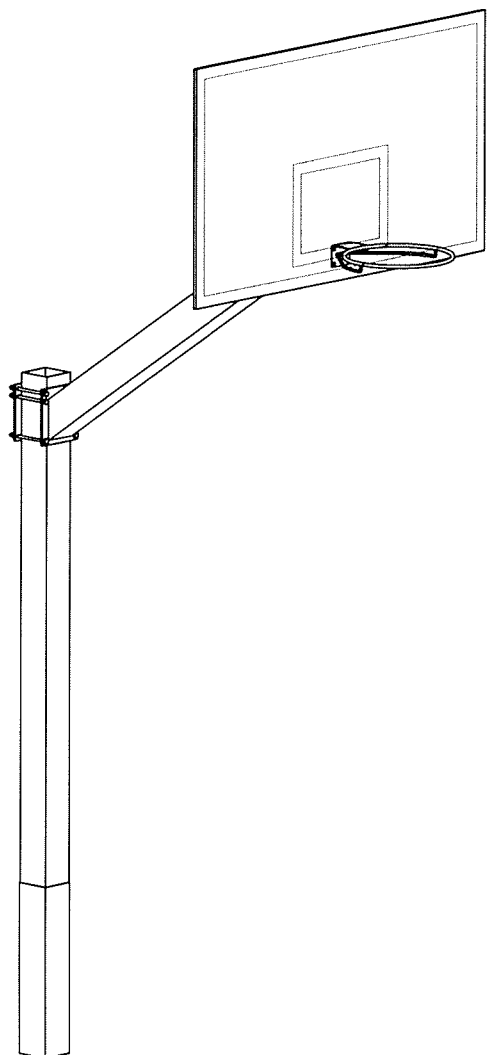


ART.4212-4213 - BASKETBALL SYSTEM, MONO POST HOT GALVANIZED, EXTENSION 225 CM,  
ADJUSTABLE FROM BASKETBALL TO MINI-BASKETBALL, EQUIPPED WITH SOCKETS.



Basketball system in accordance to UNI EN 1270:2005 - Equipment for basket court - equipment for basketball - functionality and safety requirements test methods.

UNI EN 1270 specify requirements for functionality and safety for basketball equipment. It is apply in 8 types included category from A to E . It is not apply to domestic basketball system, it is covered by UNI EN 71-1. Our Art. 4212 and 4213 correspond to the type n. 6 "portable with sockets" and to the cat. B " extension 2250mm".

#### PRODUCT DESCRIPTION

Basketball system mono post hot galvanized, extension 225cm, section 150x150 mm., equipped with sockets for fixing, superior arm height adjustable, to regulate height from basketball to mini-basketball. Steel basket, wood backboard (art. 4212) or laminated backboard (art. 4213) galvanized steel backstop frame for backboard.

n. 1 basket system = about 115 Kg.

#### WARNINGS

- Before starting the assembly or use the structure, read carefully instructions and verify the presence of all the components.
- This system has been designed exclusively for basketball not for others uses;
- Do not climb on the structure.

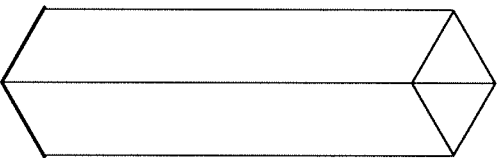
#### MAINTENANCE

- Once a year, control that all the fixings are well closed.
- Every time that the system is installed, control the general condition of it.

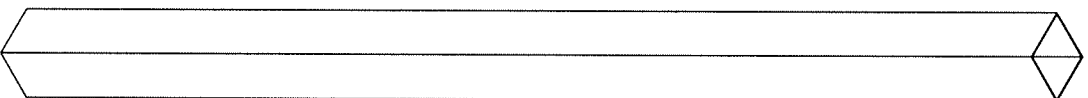
In case of structural failures or deformations, breaks or anomalies in general, contact immediately the installer or the dealer.

LIST OF COMPONENTS ( 2 BASKETS)

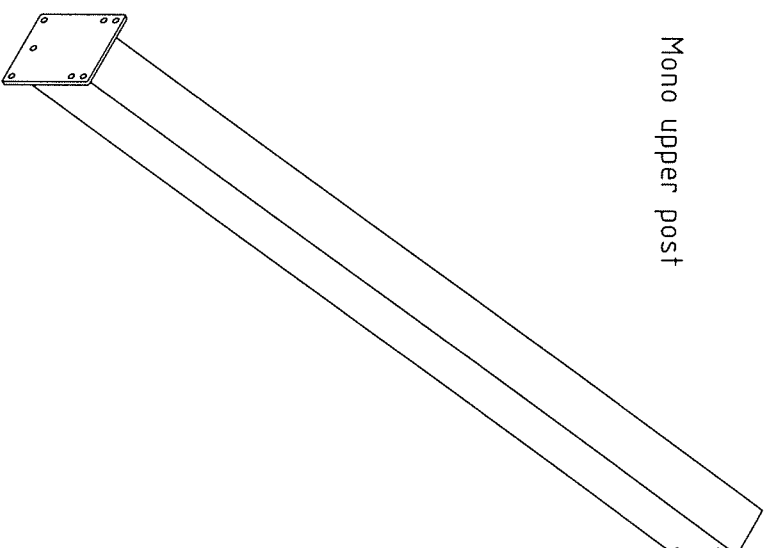
- n° 2 posts;
- n° 2 upper mono posts;
- n° 2 sockets;
- n° 2 backboards with backstop;
- n° 2 baskets;
- n° 2 nets;
- n° 12 screws M14 x 210mm
- n° 4 screws M12x 180 (hexagonal head)
- n° 4 screws M10x70 (hexagonal head)
- n° 4 screws M10x 50 (hexagonal head)
- n° 4 screws M10x 40 (hexagonal head)
- n° 24 nuts M14
- n° 4 nuts M12 self-locked
- n° 16 nuts M10
- n° 24 washers diam. 14mm
- n° 4 washers diam. 12 mm
- n° 8 washers diam 10 mm



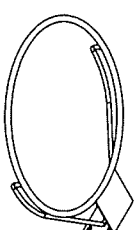
socket



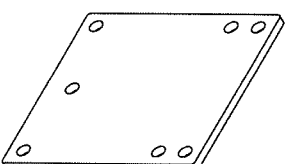
Mono vertical Post



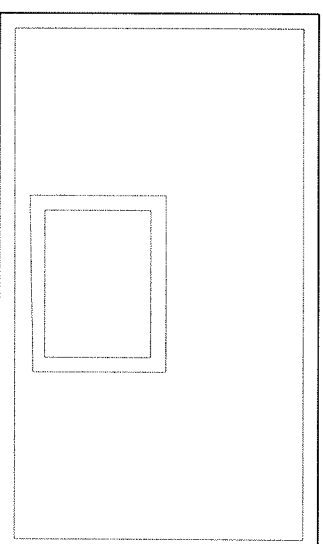
Mono upper post



Basket



Plate



Backboard

BASKETBALL SYSTEM, MONO POST HOT GALVANIZED



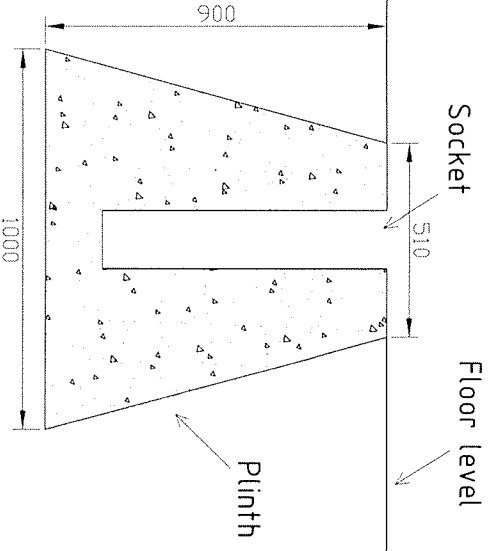
Art. 4212 - 4213

Aggiornamento n° 0

Pagina: 2/3

Figura 1  
Lateral section

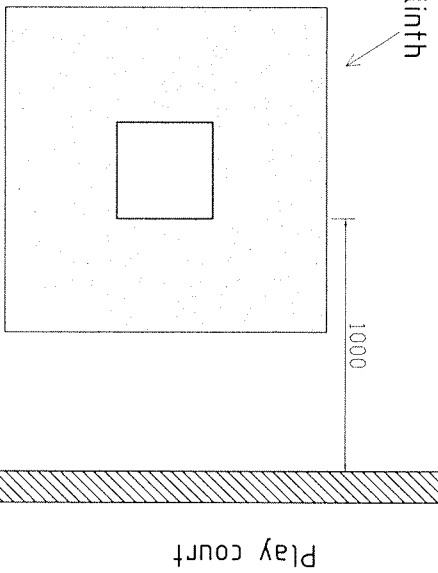
Plinto a tronco di piramide



Use ordinary concrete C16/20

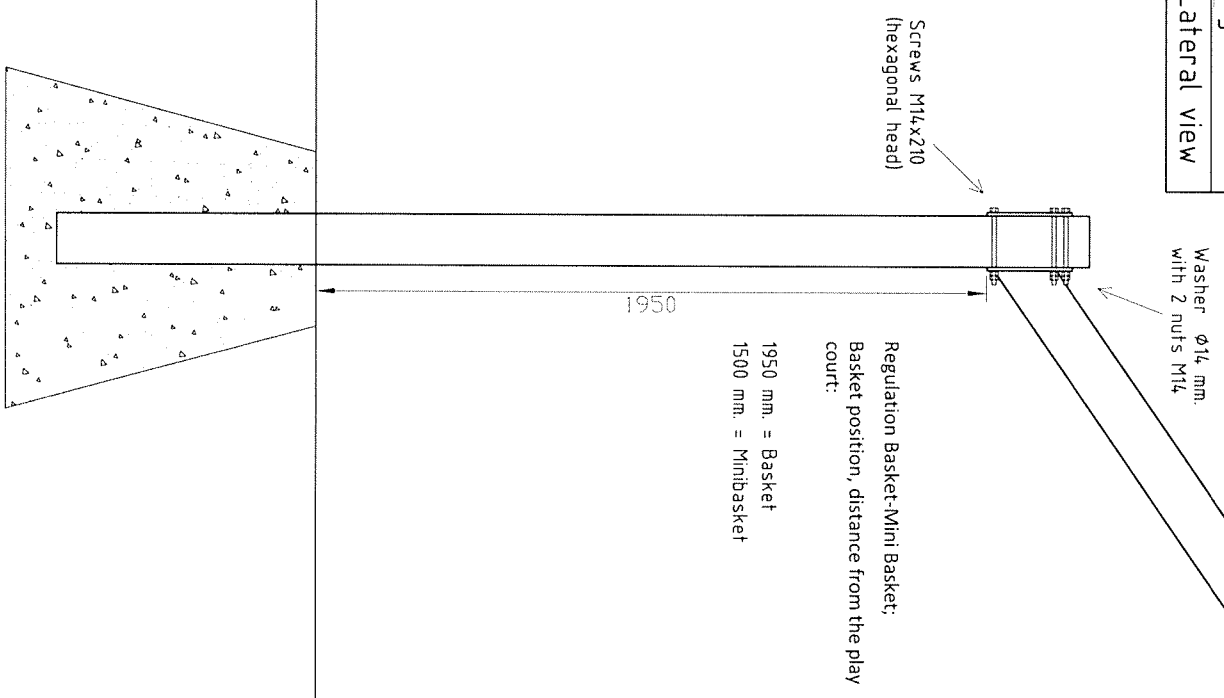
Figura 2  
Upper view

End line of play court



Socket position

Figura 3  
Lateral view



Washer  $\phi 14$  mm. with 2 nuts M14

Screws M14x210 (hexagonal head)

Regulation Basket-Mini Basket;

Basket position, distance from the play court:

1950 mm. = Basket  
1500 mm. = Minibasket

**ASSEMBLY INSTRUCTIONS:**

- Build the concrete plinth with the socket buried (Fig.1-2);
- Insert the vertical mono-post in the socket (Fig. 3)
- Install the upper mono post.(Fig.3)
- Fix the mono-post at the backboard.(Fig.4)
- Fix the basket and the net. (Fig. 5)

Figura 4

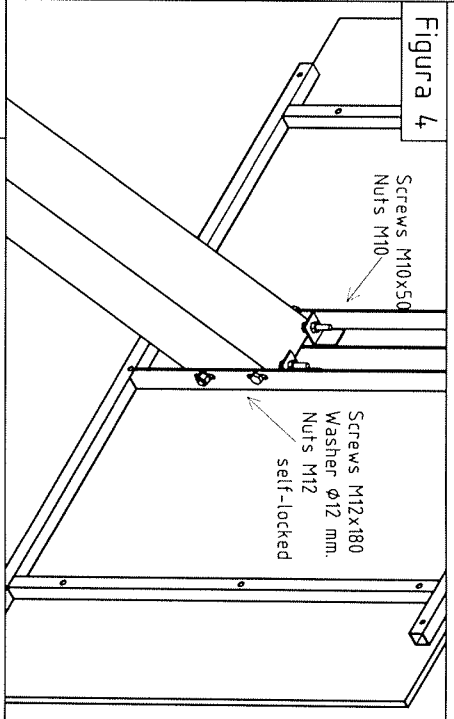
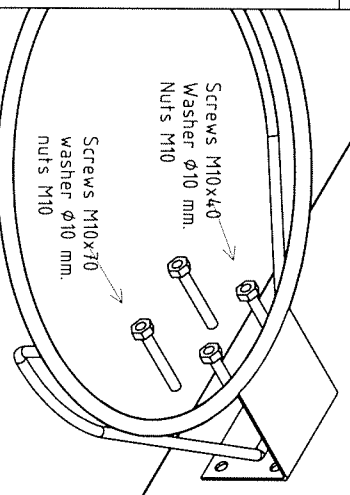


Figura 5



**BASKETBALL SYSTEM, MONO POST HOT GALVANIZED**

**VIVISPORT**  
ATTREZZATURE SPORTIVE

Art. 4212 - 4213

Aggiornamento n° 0

Pagina: 3/3