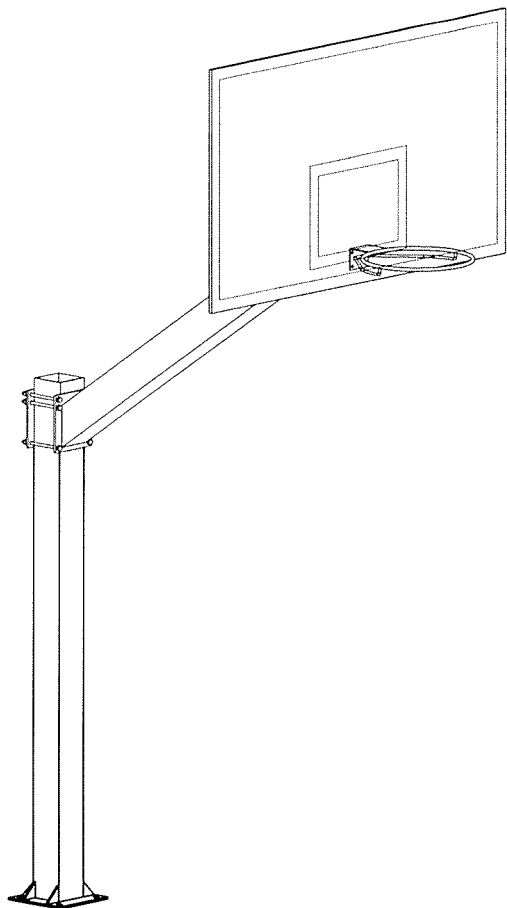


**ART. 4217 - 4218 BASKETBALL SYSTEM, MONO POST HOT GALVANIZED, EXTENSION 225 CM, ADJUSTABLE FROM BASKETBALL TO MINI-BASKETBALL, EQUIPPED WITH PLATE FOR FLOOR FIXING.**



Basketball system in accordance to UNI EN 1270:2005 - Equipment for basket court - equipment for basketball - functionality and safety requirements test methods.

UNI EN 1270 specify requirements for functionality and safety for basketball equipment. It is apply in 8 types included category from A to E . It is not apply to domestic basketball system, it is covered by UNI EN 71-1. Our Art. 4217 and 4218 correspond to the type n. 7 "portable with sockets" and to the cat. B " extension 2250 mm".

**PRODUCT DESCRIPTION**

Basketball system mono post hot galvanized, extension 225 cm, section 150x150 mm., equipped with sockets for fixing, superior arm height adjustable, to regulate height from basketball to mini-basketball. Steel basket, wood backboard (art. 4217) or laminated backboard (art. 4218) galvanized steel backstop frame for backboard.

N° 1 basket system = about 115 Kg.

**WARNINGS**

- Before starting the assembly or use the structure, read carefully instructions and verify the presence of all the components.
- This system has been designed exclusively for basketball not for others uses;
- Use appropriate anchors to the type of the floor;
- Do not climb on the structure.

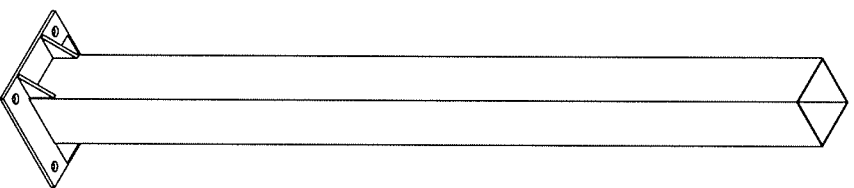
**MAINTENANCE**

- Once a year, control that all the fixings are well closed.
- Every time that the system is installed, control the general condition of it.

In case of structural failures or deformations, breaks or anomalies in general, contact immediately the installer or the dealer.

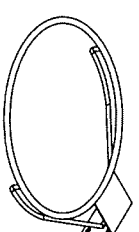
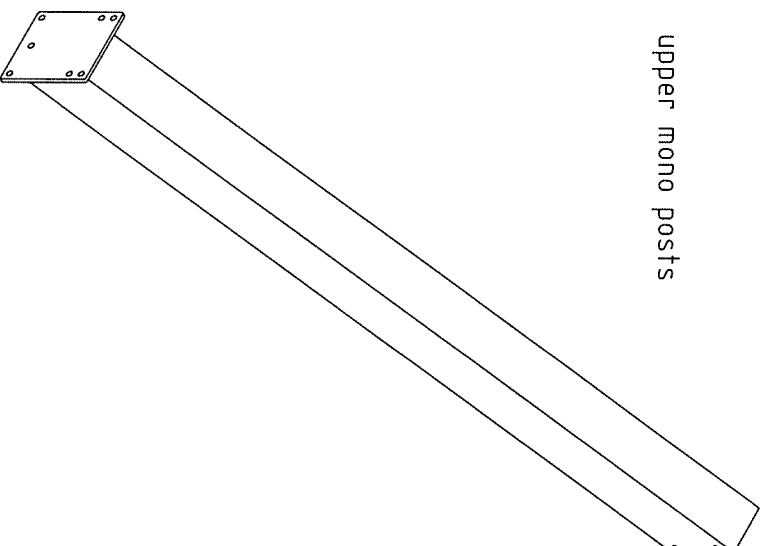
LIST OF COMPONENTS ( 2 BASKETS)

- n° 2 vertical mono posts;
- n° 2 upper mono posts
- n° 2 backboards with backstop;
- n° 2 baskets;
- n° 2 nets;
- n° 2 plates;
- n° 12 screws M14x210mm
- n° 4 screws M12x 180 (hexagonal head)
- n° 4 screws M10x70 (hexagonal head)
- n° 4 screws M10x 50 (hexagonal head)
- n° 4 screws M10x 40 (hexagonal head)
- n° 24 nuts M14
- n° 4 nuts M12 self-blocking
- n° 16 nuts M10
- n° 24 washers Ø 14mm
- n° 4 washers Ø 12 mm
- n° 8 washers Ø 10 mm

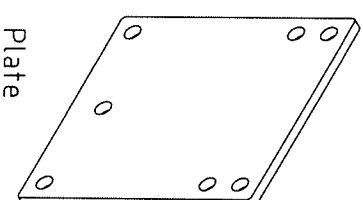


vertical mono posts

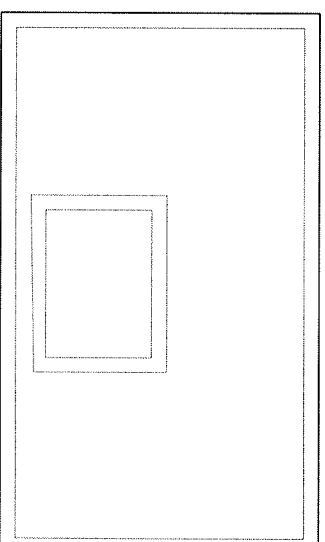
upper mono posts



baskets



Plate



backboard

BASKETBALL SYSTEM, MONO POST HOT GALVANIZED



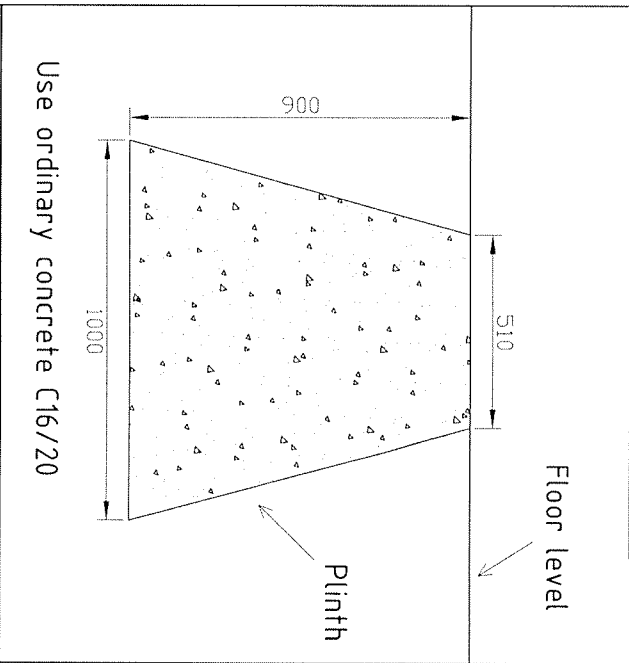
**VIVISPORT**  
attrezzature sportive

Art. 4217 - 4218

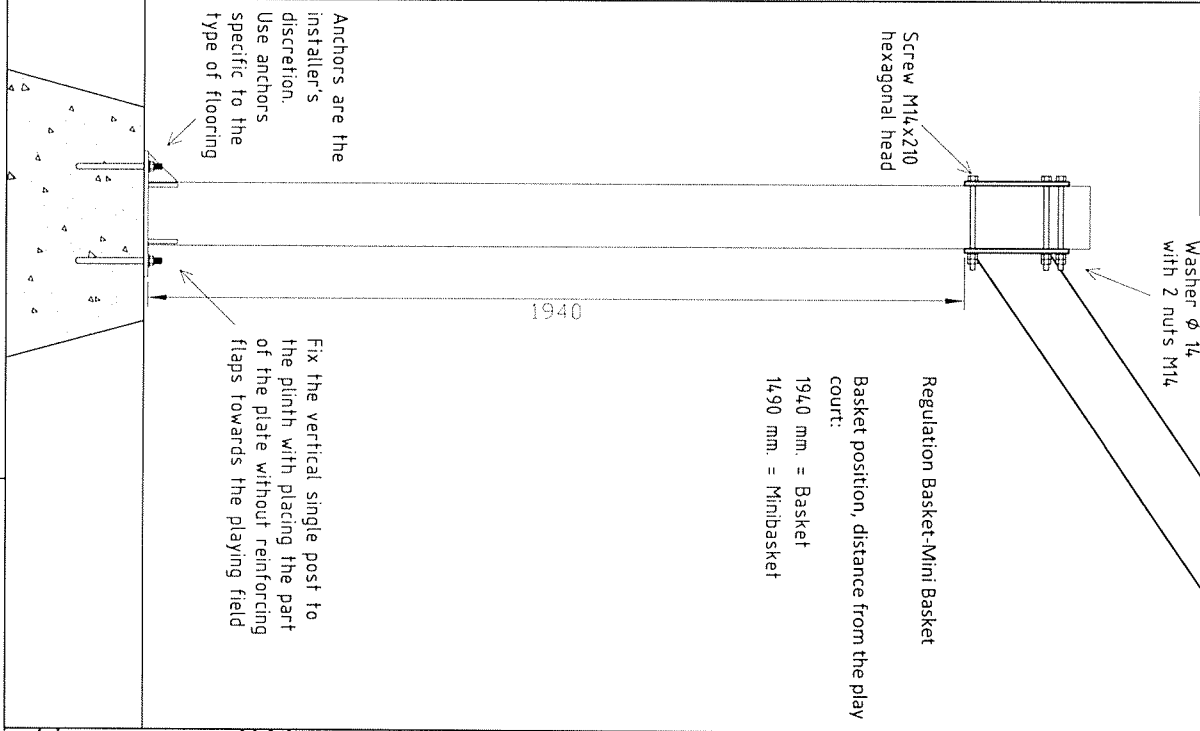
Data: 15/09/2016  
Aggiornamento n° 0

Pagina: 2/3

**Figura 1**  
Lateral section



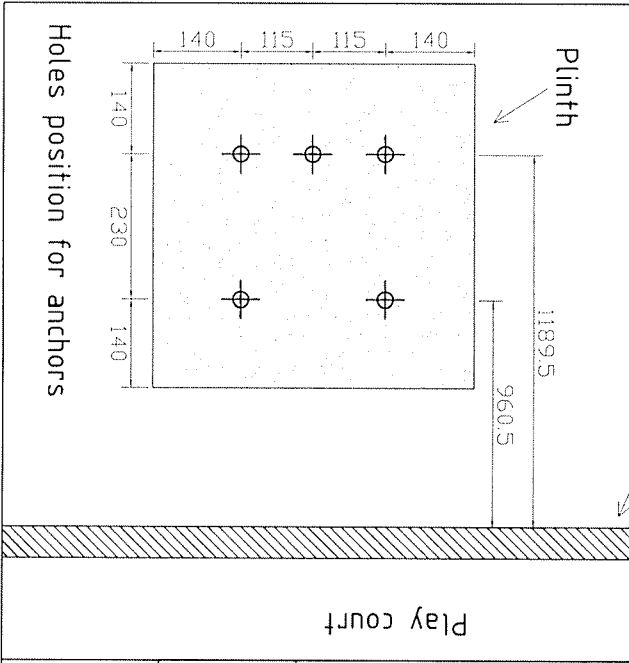
**Figura 3**  
lateral view



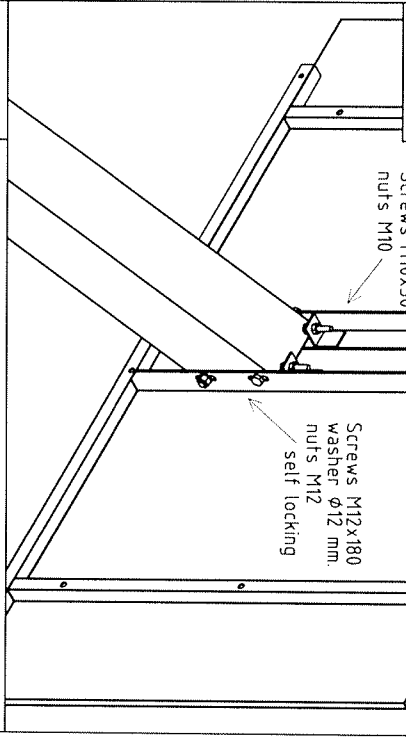
**ASSEMBLY INSTRUCTIONS:**

- Build the concrete plinth with the socket buried (Fig.1-2);
- Insert the vertical mono-post in the socket (Fig. 3)
- Install the upper mono post. (Fig.3)
- Fix the mono-post at the backboard.(Fig.4)
- Fix the basket and the net. (Fig. 5)

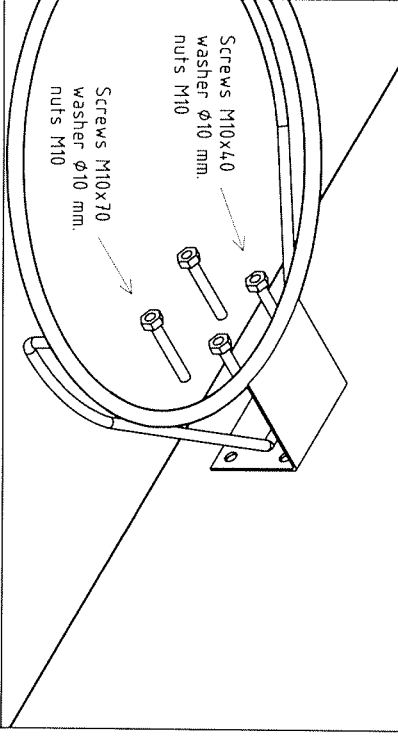
**Figura 2**  
upper view



**Figura 4**



**Figura 5**



**BASKETBALL SYSTEM, MONO POST HOT GALVANIZED**

Art. 4217 - 4218

Data: 15/09/2016  
Aggiornamento n° 0

Pagina: 3/3